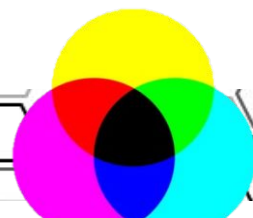
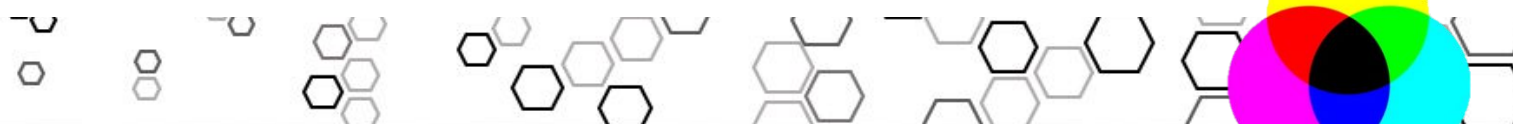
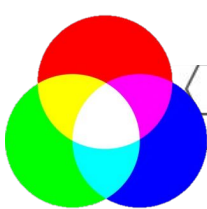


2ft / 4ft Stainless Steel LED

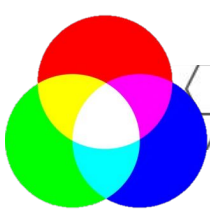




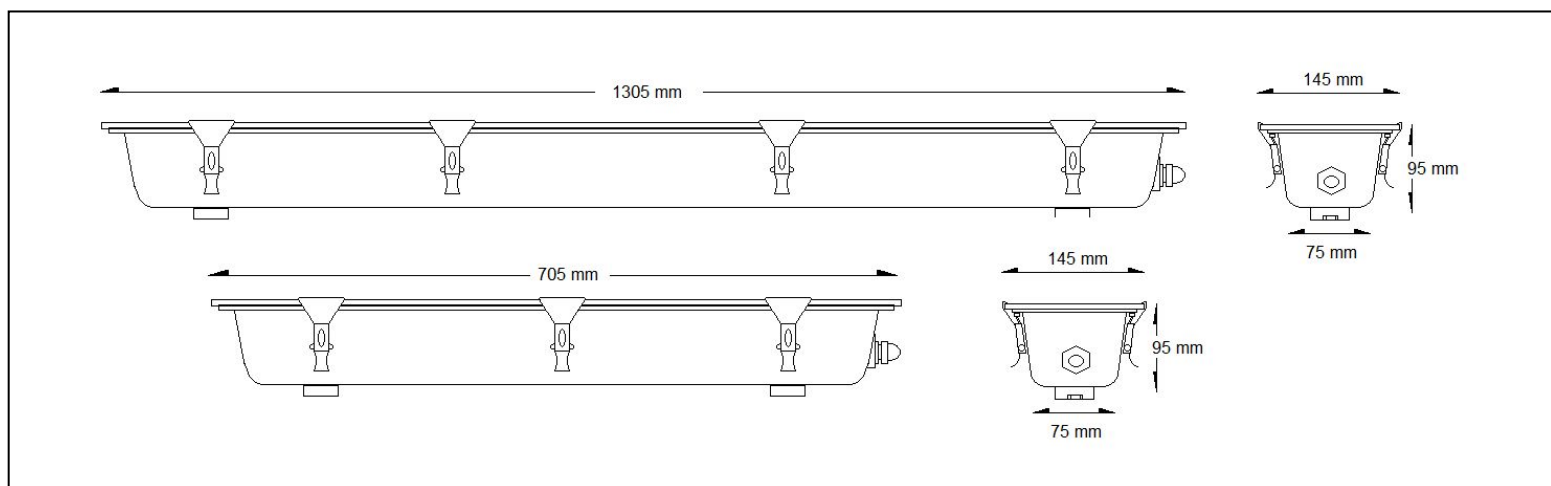
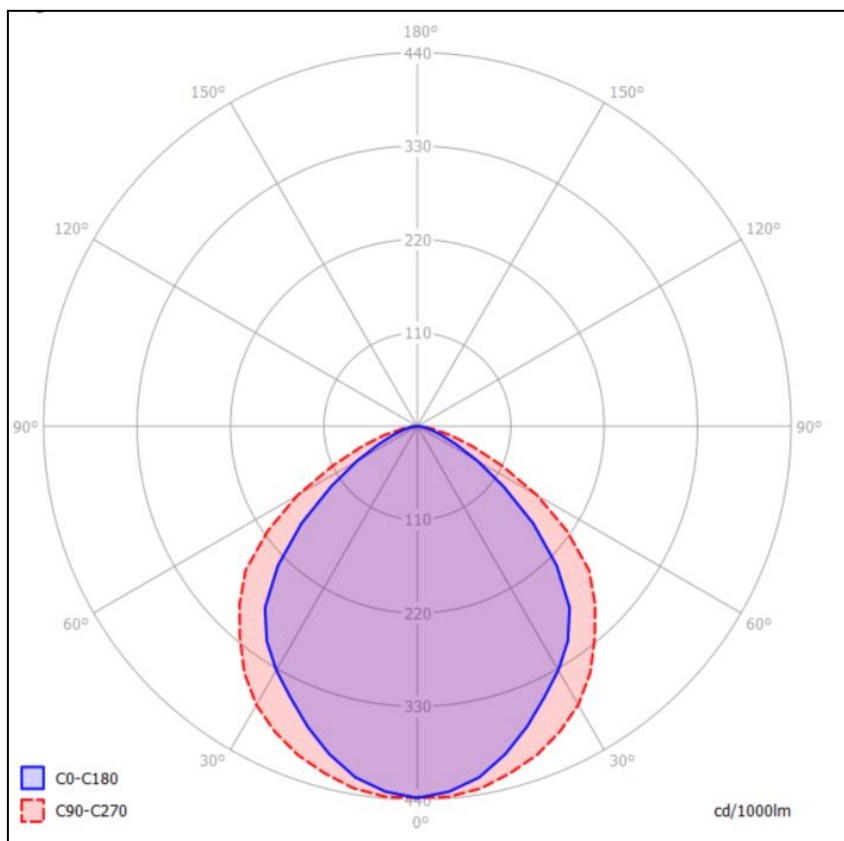
FACT FILE:



	<u>2ft</u>	<u>4ft</u>
<u>General Information</u>		
Body Construction	Stainless steel – deep drawn 304 grade. Threaded 20mm boss for proper gland seating. Gasket - silicone	Stainless steel – deep drawn 304 grade. Threaded 20mm boss for proper gland seating. Gasket - silicone
Lens Type		
Cover Glass	Toughened and frosted - 2 x retaining screws and cable	Toughened and frosted - 2 x retaining screws and cable
Recommended Height Installation	From 2m – 5m	From 2m – 10m
Compliance	SANS 60598	SANS 60598
IP Rating	IP 65	IP 65
Control Type	Internal power supply	Internal power supply
Dimmable	Normally – no , but can be adapted for DALI DMX I-10V	Normally – no , but can be adapted for DALI DMX I-10V
<u>Electrical Information</u>		
Electrical Class	Class 1	Class 1
Socket Options	N/A	N/A
Supply Voltage	230V AC	230V AC
Surge Protection	10kV	10kV
Power Factor	Better than 0.95	Better than 0.95
<u>Optical Information</u>		
CRI	+85	+85
CCT	If warm white 3000K is required – the lumen values will drop by 8%	If warm white 3000K is required – the lumen values will drop by 8%
<u>Performance</u>		
Total Circuit load and Lumens	24W – 4200 lumens	48W – 8200 lumens
<u>Operating Conditions</u>		
Operating Temperature range	-20°C to +45°C	-20°C to +45°C
<u>Dimensions and Mounting</u>		
Weight	4kg	7kg
Installation data	Available	Available



FACT FILE:



Lumen values are as measured at source - on the PCB - not exiting light fitting. Due to the fast pace of development - values are subject to change at any time and without notice.