

Mini In-Ground Up Light

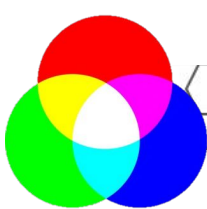


230V AC



12V AC / DC

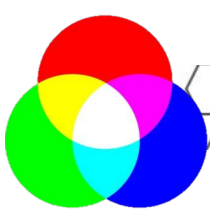




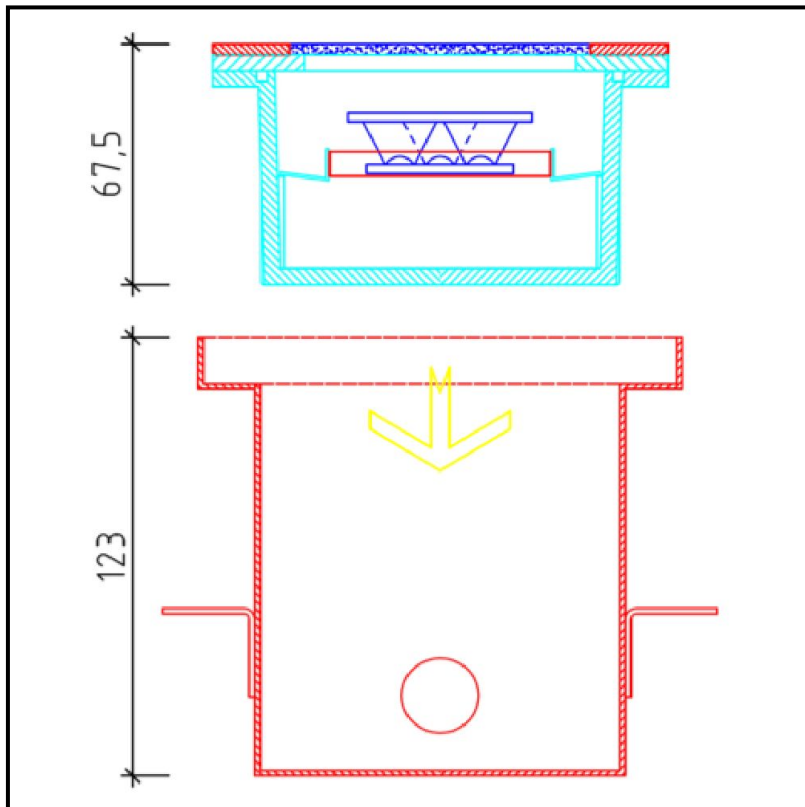
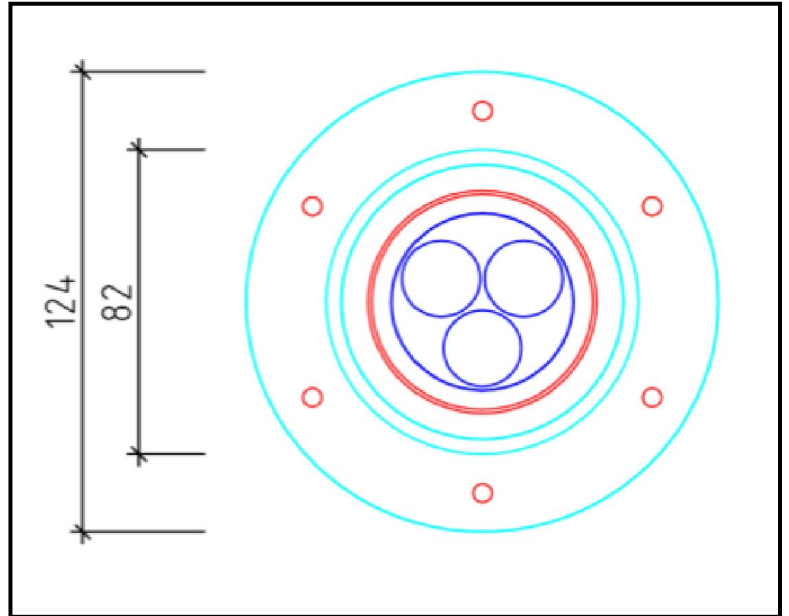
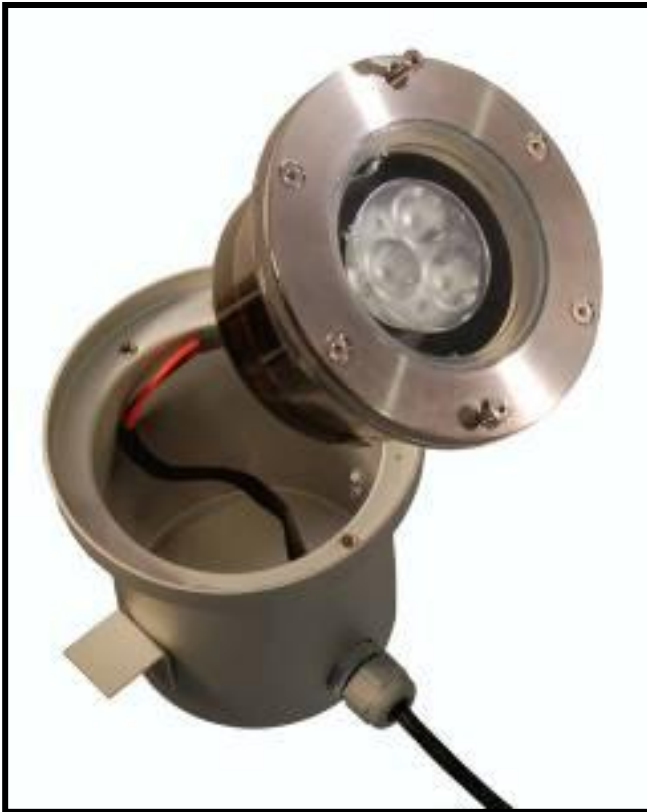
FACT FILE:



	Single colour 12V AC	RGBW – bespoke power supply	230V AC
<u>General Information</u>			
Body Construction	Die cast Aluminium (LM6) Or ABS (Plastic)	Die cast Aluminium (LM6) Or ABS (Plastic)	Die cast Aluminium (LM6) Or ABS (Plastic)
Cover Plate	Stainless steel 316 with 8mm toughened glass	Stainless steel 316 with 8mm toughened glass	Stainless steel 316 with 8mm toughened glass
LED Type	Tri LED single colour with 350mA puck	IPP octoled - has to operate with separate resistor PCB in power supply housing	Tri Led single colour with VS or Tridonic HT round PSU 350mA
Compliance	SANS 60598	SANS 60598	SANS 60598
IP Rating	IP 68	IP68	IP68
Control Type	External power supply	External power supply	Internal power supply
<u>Electrical Information</u>			
Electrical Class	Light fitting: Class 2 External power supply: Class 1	Light fitting: Class 2 External power supply: Class 1	Class 1
Socket Options	N/A	N/A	N/A
Supply Voltage	12V AC	Appropriate controller required for colour mixing	230V AC 50hz
Surge Protection	Dependant on external power supply - usually 2kV	Dependant on external power supply - usually 2kV	Dependant on internal power supply - usually 2kV
Power Factor	Better than 0.94	Better than 0.94	Better than 0.94
<u>Optical Information</u>			
CRI	+85	+85	+85
CCT	3000K, 4000K or 5000K Red, Green, Blue or Amber	RGBW	3000K, 4000K or 5000K
Beam angles	15°, 36° or 60°	15°, 36° or 60°	15°, 36° or 60°
<u>Performance</u>			
Total Circuit load and Lumens	7W 840 Lumens	7W 840 Lumens	7W 840 Lumens
<u>Operating Conditions</u>			
Operating Temperature range	-20°C to +45°C	-20°C to +45°C	-20°C to +45°C
<u>Dimensions and Mounting</u>			
Weight	1kg	1kg	1kg
Installation Data Available	Yes	Yes	yes



FACT FILE:



Lumen values are as measured at source - on the PCB - not exiting light fitting. Due to the fast pace of development - values are subject to change at any time and without notice.