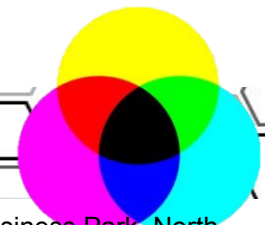
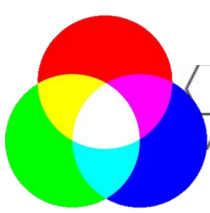


2ft / 4ft / 5ft Vapour Proof Proof

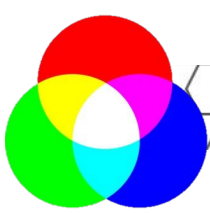




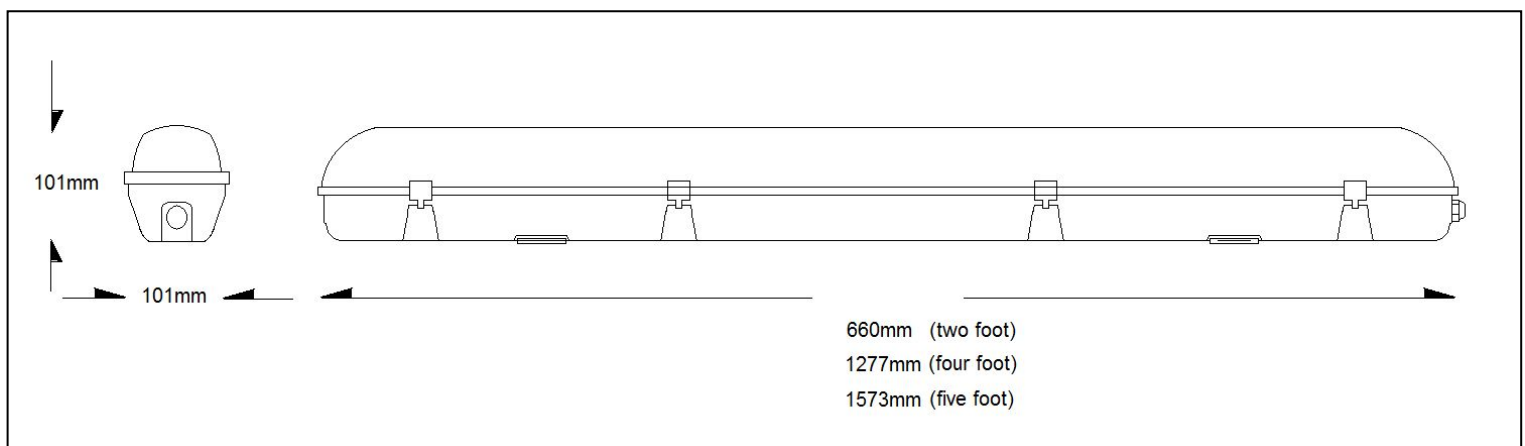
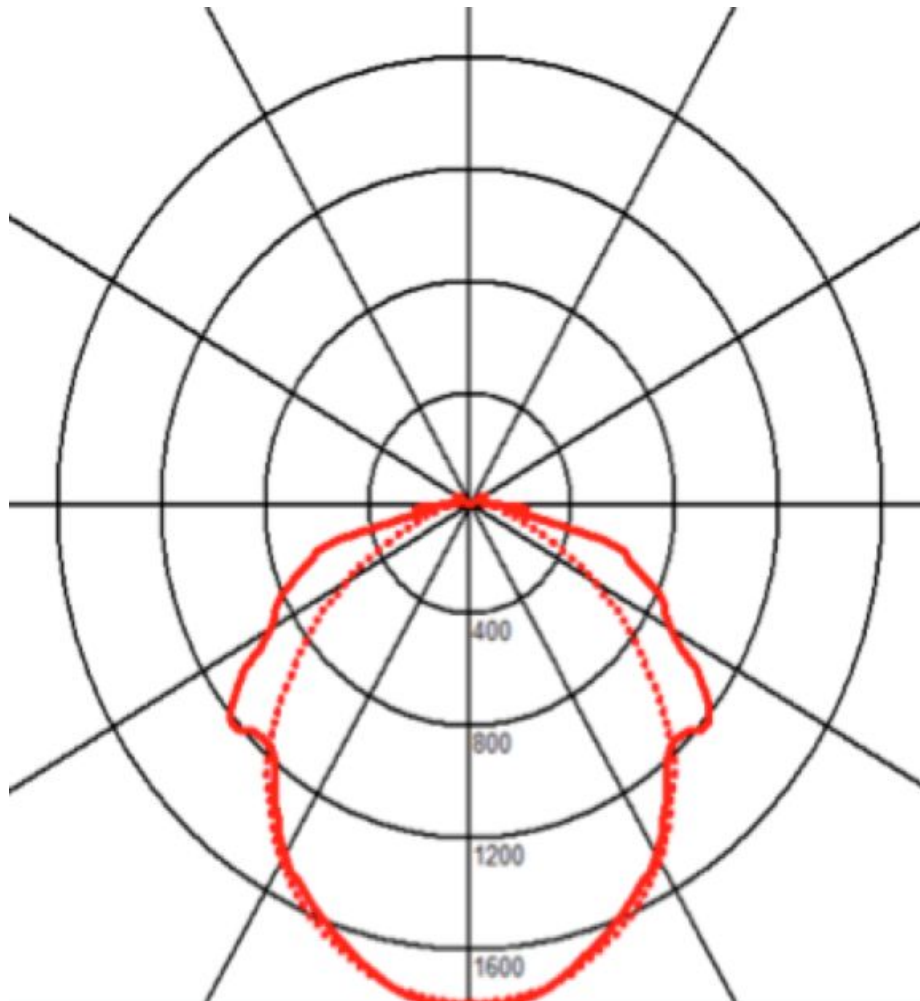
FACT FILE:



	660mm or 1277mm or 1572mm
<u>General Information</u>	
Body Construction	Polycarbonate with stainless steel latches and mounting hangers.
Lens Type	UV stable Polycarbonate
Cover plate	Mild Steel, powdercoated.
Recommended Height Installation	From 2m – 10m
Compliance	SANS 60598
IP Rating	IP 65
Control Type	Internal power supply
Dimmable	Normally – no , but can be adapted for Leading edge DALI DMX 1-10V
<u>Electrical Information</u>	
Electrical Class	Class 1
Socket Options	N/A
Supply Voltage	230V AC
Surge Protection	10kV
Power Factor	Better than 0.95
<u>Optical Information</u>	
CRI	+85
CCT	4000K or 5000K If warm white (3000K) is required – the lumen values will drop by 8%
<u>Performance</u>	
Total Circuit load and Lumens (Based on 4000K or 5000K)	25W – 4200 lumens - 660mm 50W - 8400 lumens – 1277mm 90W -14500 lumens – 1573mm
<u>Operating Conditions</u>	
Operating Temperature range	-25°C to +45°C
<u>Dimensions and Mounting</u>	
Weight	From 2kg – 4kg
Installation data	Available



FACT FILE:



Lumen values are as measured at source - on the PCB - not exiting light fitting. Due to the fast pace of development - values are subject to change at any time and without notice.