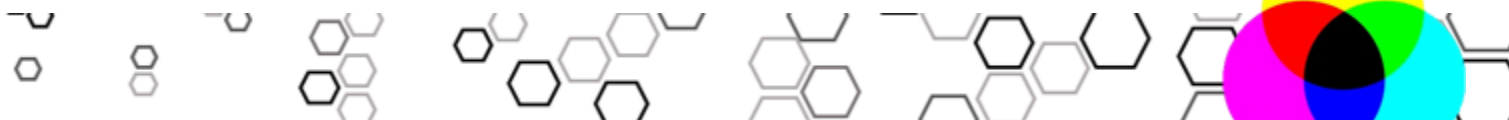
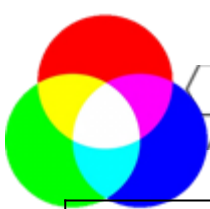




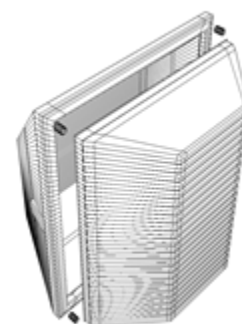
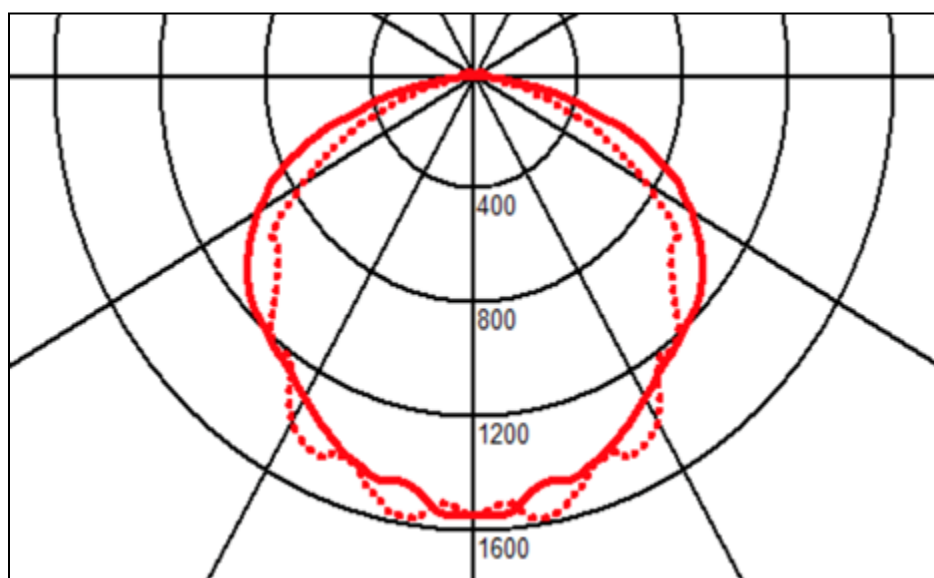
Square Industrial Bulkhead





FACT FILE:

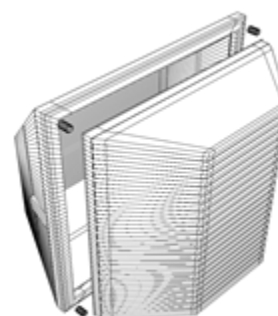
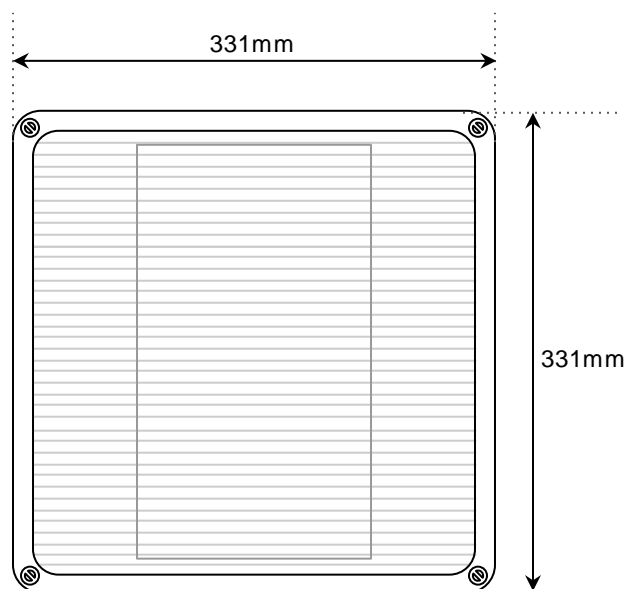
<u>General Information</u>	
Body Construction	DMC – dough moulding compound.
Lens Type	Polycarbonate Lens
Recommended height Installation	3-6metres
Compliance	SANS 60598
IP Rating	IP66
Control Type	Normal on or off.
Dimmable	On request – DALI or DMX or -0-10V or phase cut
<u>Electrical Information</u>	
Electrical Class	Class 1
Socket Options	NA
Supply Voltage	230V AC 50hz
Surge Protection	10KV
Power Factor	Better than 0,95
<u>Optical Information</u>	
CRI	Minimum of 82
CCT	3000K or 4000K or 5000K as standard – others on request
<u>Performance</u>	
Total Circuit load and Lumens	38W – total circuit load. 5500 lumens – at source for 5000K and 4000K. 5060 lumens for 3000K
Beam Distribution	Through prismatic lens – please refer polar curve below
<u>Operating Conditions</u>	
Operating Temperature range	-20 to + 45 C
<u>Dimensions and Mounting</u>	
Weight	3kg
Installation Data	IES file available





FACT FILE:

Front View



Side View

