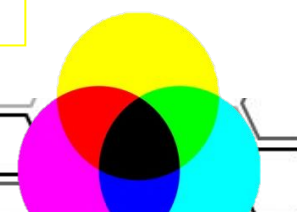
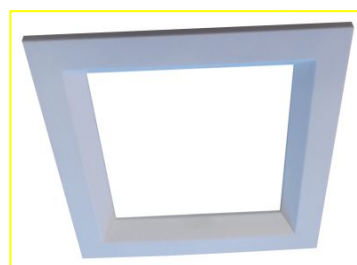
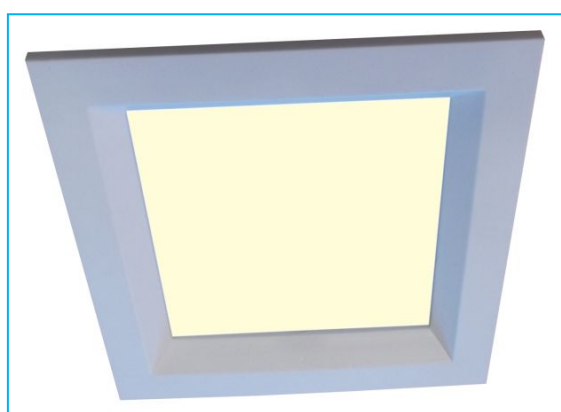
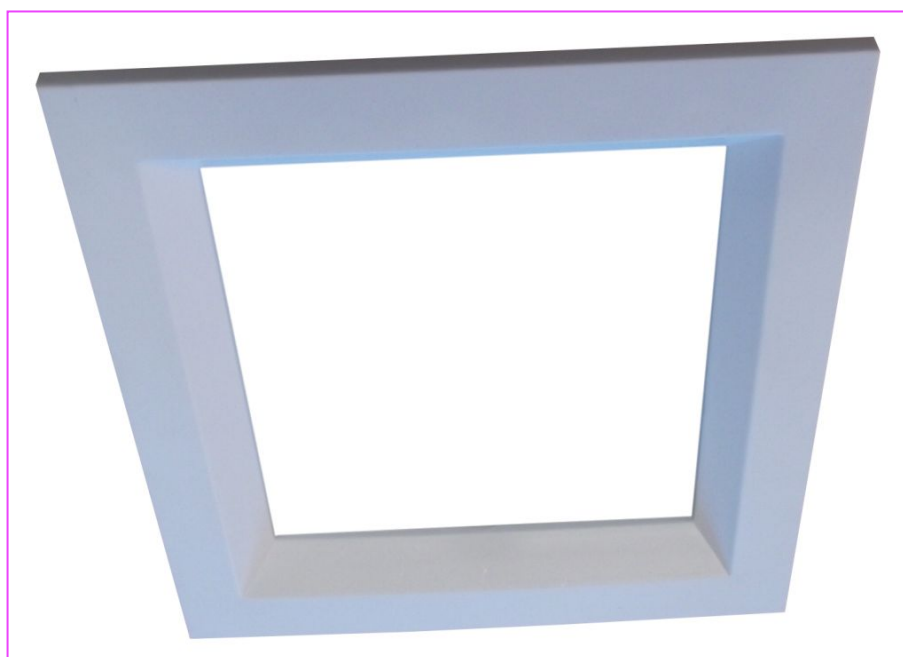
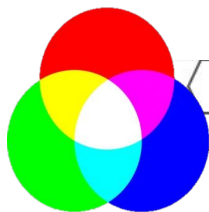


## Ecolite Square LED recessed downlight family

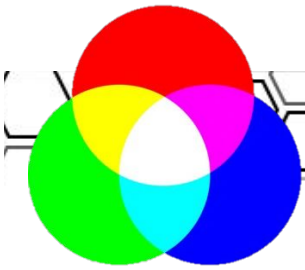




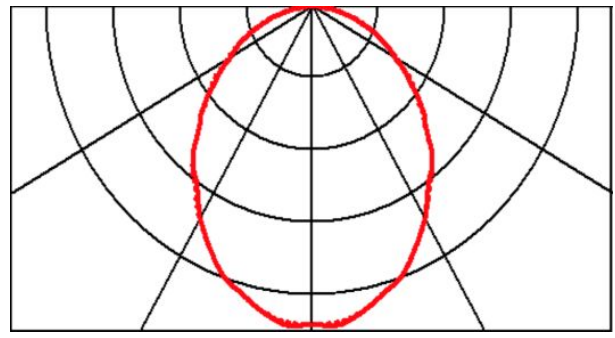
## FACT FILE:



	7W	17W	24W
<b><u>General Information</u></b>			
<b>Body Construction</b>	Aluminium Powder Coating	Aluminium Powder Coating	Aluminium Powder Coating
<b>Lens Type</b>	Opal Acrylic	Opal Acrylic	Opal Acrylic
<b>Trim Size</b>	100 x 100 mm	140 x 140 mm	180 x 180 mm
<b>Cut Out</b>	75 x 75 mm	110 x 100 mm	140 x 140 mm
<b>Recommended Height Installation</b>	From 2,4m to 5m	From 2,4m to 5m	From 2,4m to 5m
<b>Compliance</b>	SANS 60598	SANS 60598	SANS 60598
<b>IP Rating</b>	IP 44	IP 44	IP 44
<b>Dimmable</b>	Standard – no; With correct gear: Dali – Yes 1-10V – Yes DMX – Yes	Standard – no; With correct gear: Dali – Yes 1-10V – Yes DMX – Yes	Standard – no; With correct gear: Dali – Yes 1-10V – Yes DMX – Yes
<b><u>Electrical Information</u></b>			
<b>Electrical Class</b>	Class 2	Class 2	Class 2
<b>Socket Options</b>	Supplied with 3m cabtyre and 5A plugtop	Supplied with 3m cabtyre and 5A plugtop	Supplied with 3m cabtyre and 5A plugtop
<b>Supply Voltage</b>	230V AC 50HZ	230V AC 50HZ	230V AC 50HZ
<b>Surge Protection</b>	1kV on power supply	1kV on power supply	1kV on power supply
<b>Power Factor</b>	Better than 0,95	Better than 0,95	Better than 0,95
<b><u>Optical Information</u></b>			
<b>CRI</b>	Always better than 84 Above 94 on request	Always better than 84 Above 94 on request	Always better than 84 Above 94 on request
<b>CCT</b>	Either 3000K or 4000K or 5000K	Either 3000K or 4000K or 5000K	Either 3000K or 4000K or 5000K
<b><u>Performance</u></b>			
<b>Total Circuit load and Lumens</b>	910 lumens Lumens measured on PCB	2210 lumens Lumens measured on PCB	3120 lumens Lumens measured on PCB
<b><u>Operating Conditions</u></b>			
<b>Operating Temperature range</b>	-20C to +45C	-20C to +45C	-20C to +45C
<b><u>Dimensions and Mounting</u></b>			
<b>Weight</b>	Below 300g	Below 350g	Below 500g
<b>Data</b>	IES files - Yes	IES files - Yes	IES files - Yes



**FACT FILE:**

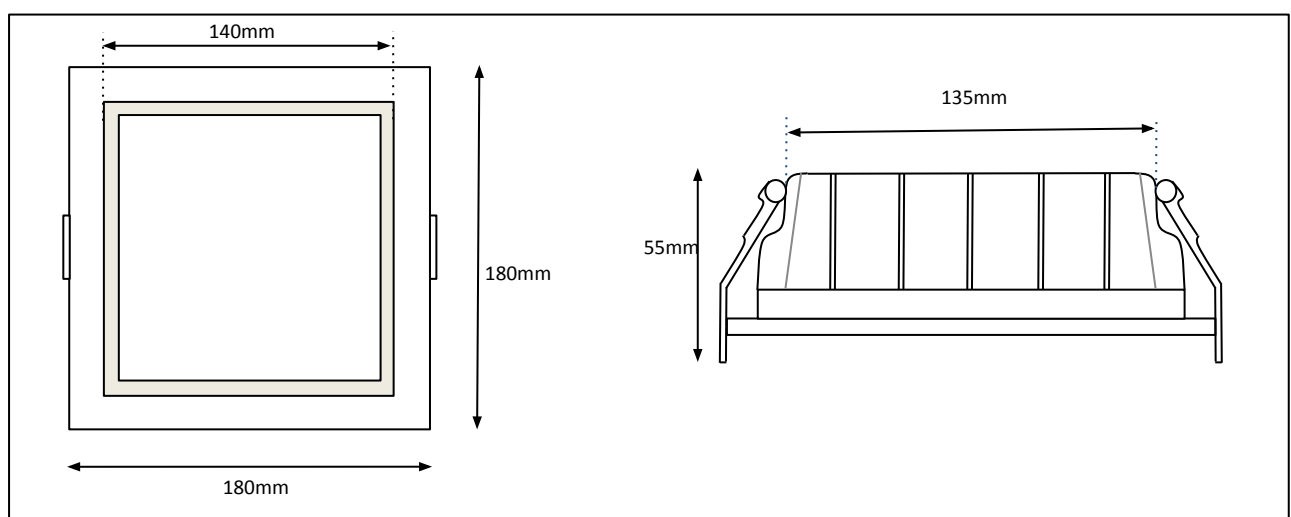


Lumen values are as measured at source - on the PCB - not exiting light fitting. Due to the fast pace of development - values are subject to change at any time and without notice.

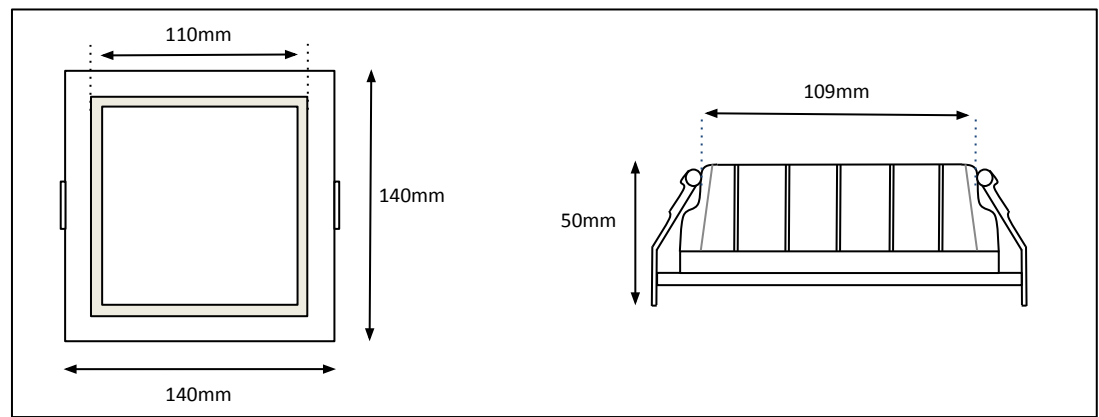
**Front View**

**Side View**

**24W**



**17W**



**7W**

