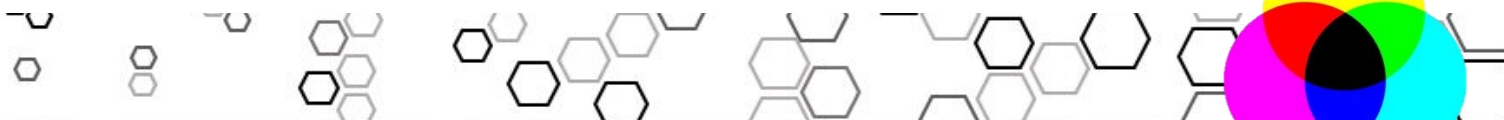
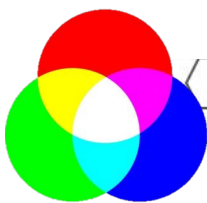


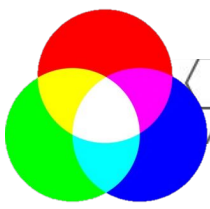
Step Light



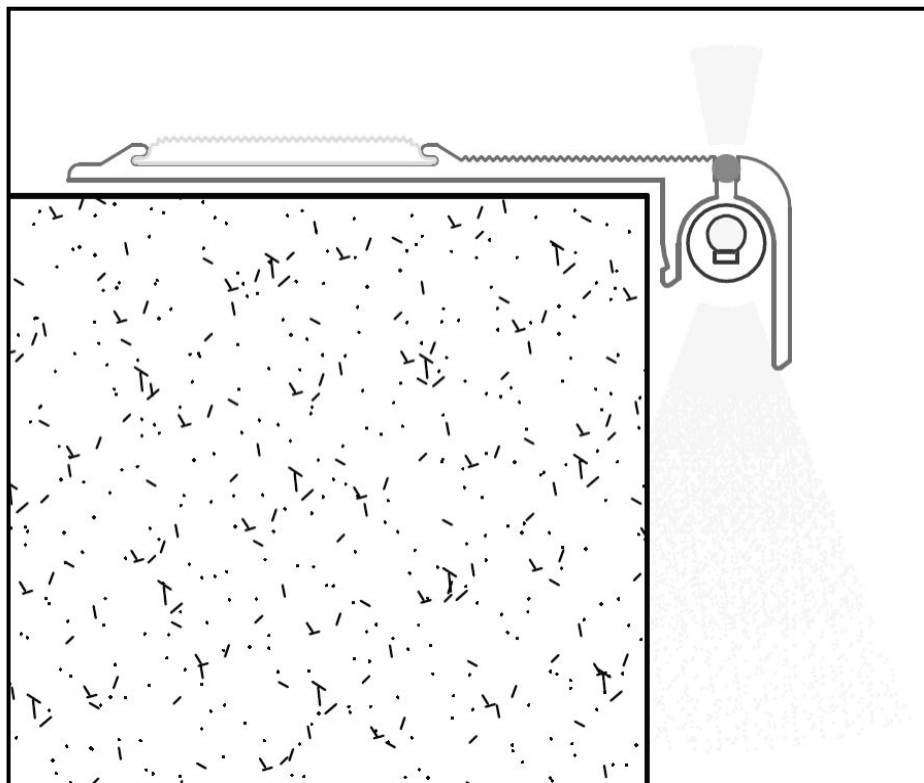
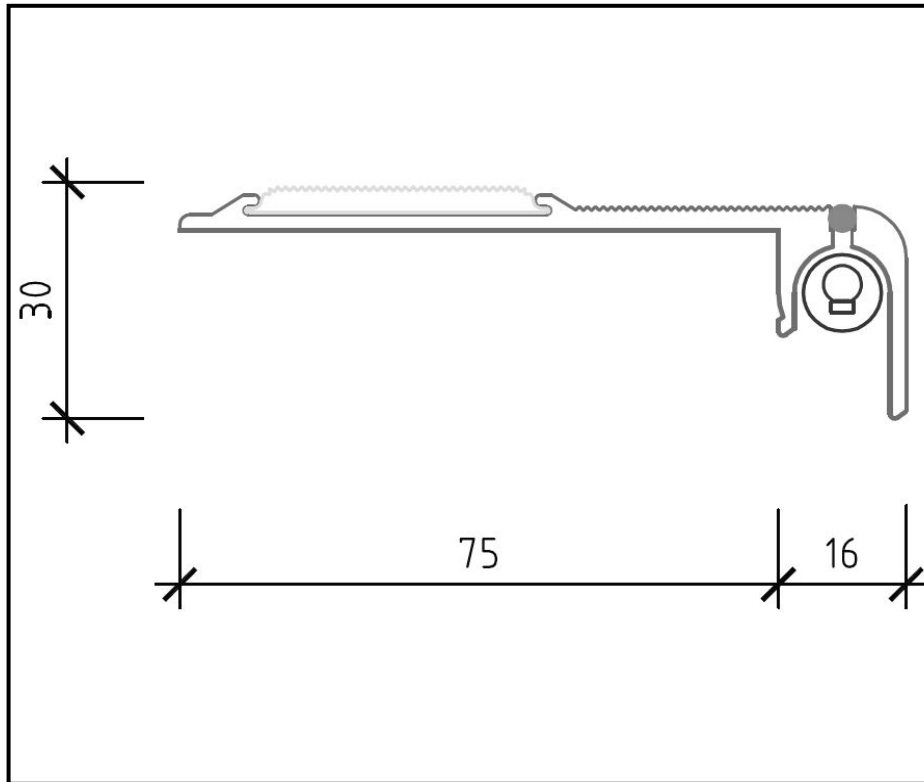


FACT FILE:

| | |
|--|--|
| <u>General Information</u> | |
| Body Construction | Anodised aluminium extrusion with plastic anti skid insert |
| Lamp type | 10mm diameter LED Ropelight |
| Recommended Height Installation | N/A |
| Compliance | SANS 60598 |
| IP Rating | IP 56 |
| Control Type | External power supply |
| <u>Electrical Information</u> | |
| Electrical Class | Light source – 24V Remote power supply – Class 1 |
| Socket Options | N/A |
| Supply Voltage | 12V DC |
| Surge Protection | Dependent on external power supply – usually 2kV |
| Power Factor | Better than 0.94 |
| <u>Optical Information</u> | |
| CRI | +85 |
| CCT | 3000K 4000K 5000K Amber, red, green, blue |
| <u>Performance</u> | |
| Total Circuit load and Lumens | 30 lumen p/m - warm white 3000K 4W per linear m |
| <u>Operating Conditions</u> | |
| Operating Temperature range | -20°C to +45°C |
| <u>Dimensions and Mounting</u> | |
| Weight | 2kg per m |
| Installation Data | Available |



FACT FILE:



Lumen values are as measured at source - on the PCB - not exiting light fitting.
Values are subject to change at any time and without notice.