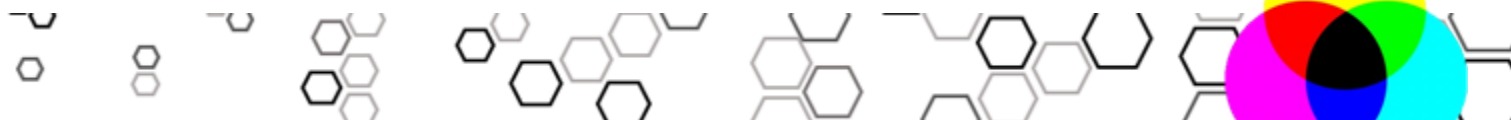




GU 10 Mini In-Ground Up Light

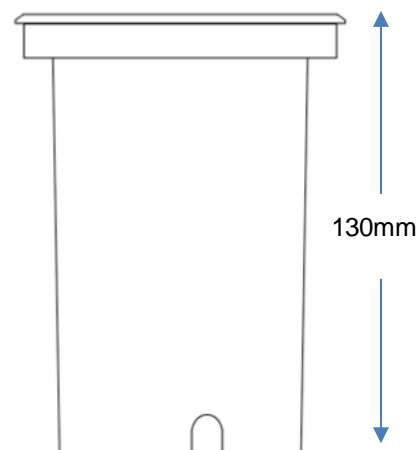




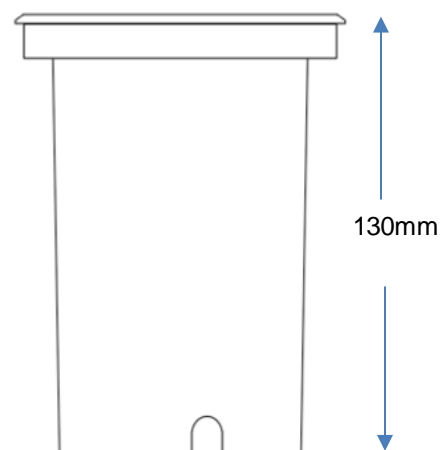
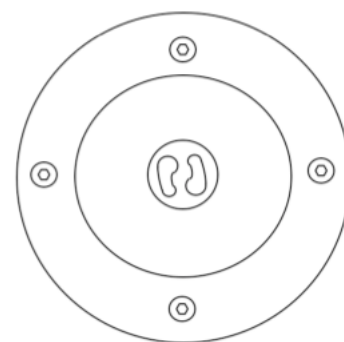
FACT FILE:



	12V AC - for use in water features	230V AC
<u>General Information</u>		
Body Construction	Die cast Aluminium (LM6) - body. Niche is ABS	Die cast Aluminium (LM6) - body. Niche is ABS
Cover Plate	Stainless steel 316 Marine grade	Stainless steel 316 Marine grade
LED Type	12V AC MR 16 lamp 5W maximum - either 3k or 4k or 5k or RGBWW (RGBWW requires RF controller)	GU10 lamp 5W maximum - either 3k or 4k or 5k or RGBWW (RGBWW requires RF controller)
Compliance	SANS 60598	SANS 60598
IP Rating	IP 68	IP68
<u>Electrical Information</u>		
Electrical Class	Light fitting: Class 1	Light fitting: Class 1
Socket Options	N/A	N/A
Supply Voltage	12V AC	230V AC
Surge Protection	Refer lamp used in light fitting	Refer lamp used in light fitting
Power Factor	Refer lamp used in light fitting	Refer lamp used in light fitting
<u>Optical Information</u>		
CRI	Refer lamp used in light fitting	Refer lamp used in light fitting
CCT	Refer lamp used in light fitting	Refer lamp used in light fitting
Beam angles	Refer lamp used in light fitting	Refer lamp used in light fitting
<u>Performance</u>		
Total Circuit load and Lumens	MAXIMUM IS 5W due to heat dissipation	MAXIMUM IS 5W due to heat dissipation
<u>Operating Conditions</u>		
Operating Temperature range	-20°C to +45°C	-20°C to +45°C
<u>Dimensions and Mounting</u>		
Weight	0.2 kg	0.2 kg
Installation Data Available	Yes	Yes



110mm



110mm

