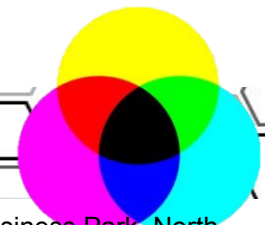
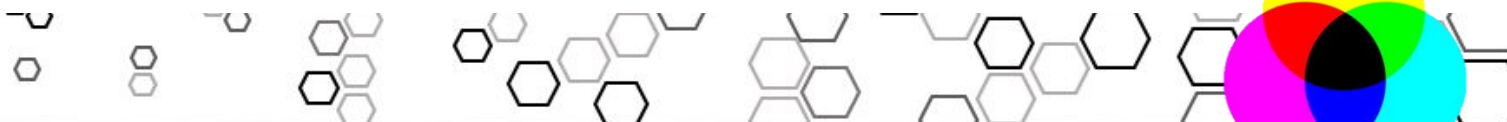
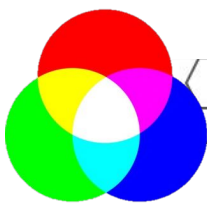


## LED like Neon flexible strip

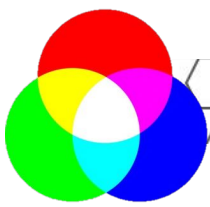




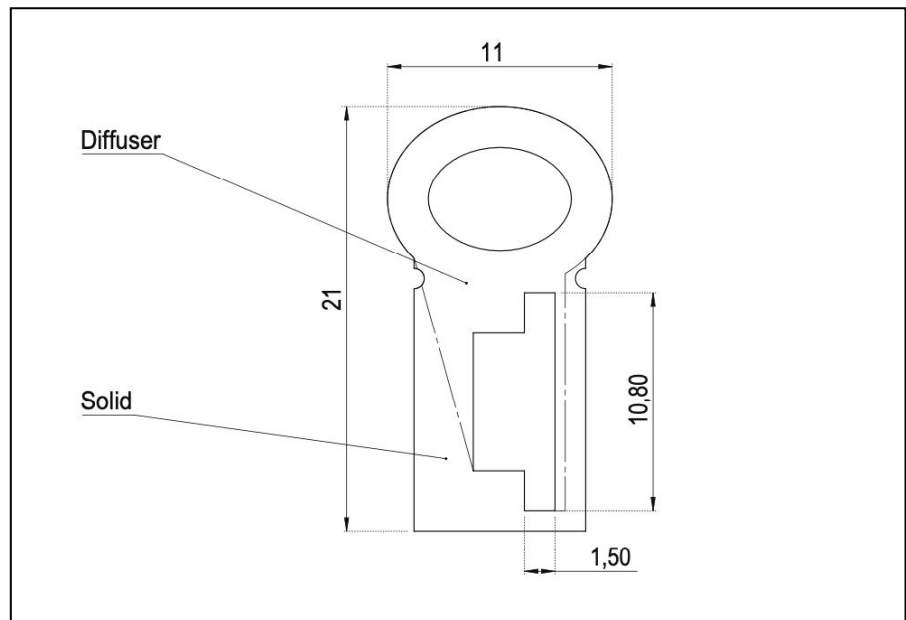
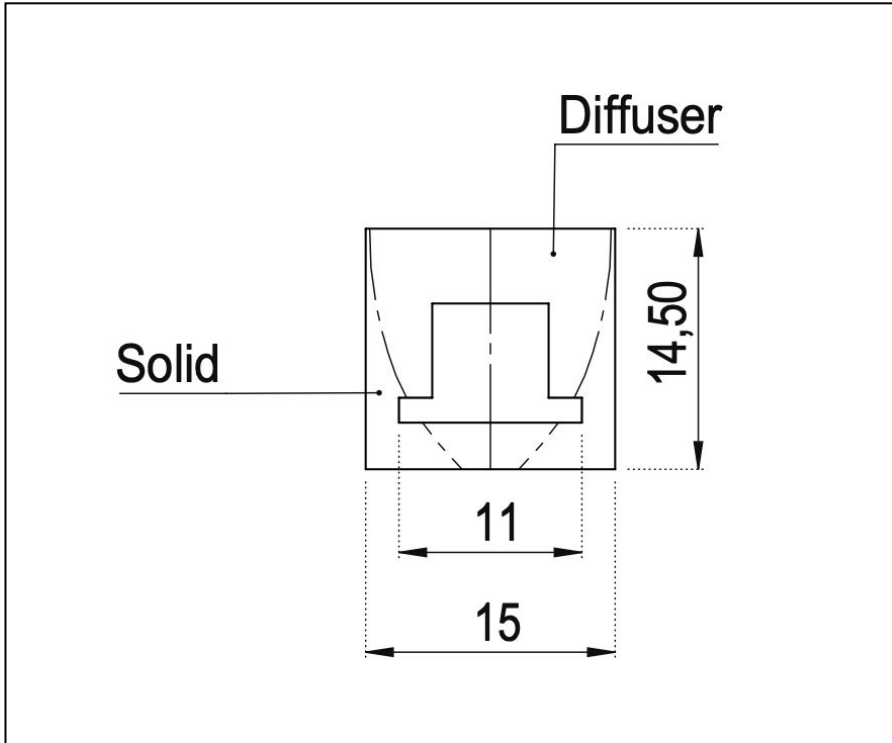
## FACT FILE:



|  |  |
|--|--|
| <b><u>General Information</u></b>      |  |
| <b>Body Construction</b>               |  |
| <b>Base Extrusion</b>                  | UV stable silicone – suitable for outdoor use 3 – 5 year life expectancy.                  |
| <b>Lens Type</b>                       | 2835 SMD LED<br>120 LEDs per m   |
| <b>Recommended Height Installation</b> | N/A  |
| <b>Compliance</b>                      | SANS 60598   |
| <b>IP Rating</b>                       | IP 65<br>Joints need to be made by qualified staff otherwise IP rating is nullified.       |
| <b>Control Type</b>                    | External power supply  |
| <b>Dimmable</b>                        | Yes, with the correct gear   |
| <b><u>Electrical Information</u></b>   |  |
| <b>Electrical Class</b>                | Light source – 24V<br>Power supply – Class 1   |
| <b>Socket Options</b>                  | N/A  |
| <b>Supply Voltage</b>                  | 24V DC   |
| <b>Surge Protection</b>                | Power supply – 2kV minimum   |
| <b>Power Factor</b>                    | Better than 0.94   |
| <b><u>Optical Information</u></b>      |  |
| <b>CRI</b>                             | +85  |
| <b>CCT</b>                             | Cool white 5000K<br>Neutral white - 4000K,<br>Warm white 3000K,<br>Amber, red, green, blue |
| <b><u>Performance</u></b>              |  |
| <b>Total Circuit load and Lumens</b>   | Neutral white- 1000 lumens – per m<br>Warm white – 800 lumen – per m<br>10W per m          |
| <b><u>Operating Conditions</u></b>     |  |
| <b>Operating Temperature range</b>     | -20°C to +45°C   |
| <b><u>Dimensions and Mounting</u></b>  |  |
| <b>Weight</b>                          | 500g per m   |
| <b>Installation Data</b>               | Available.   |



**FACT FILE:**



Lumen values are as measured at source - on the PCB - not exiting light fitting. Due to the fast pace of development - values are subject to change at any time and without notice.