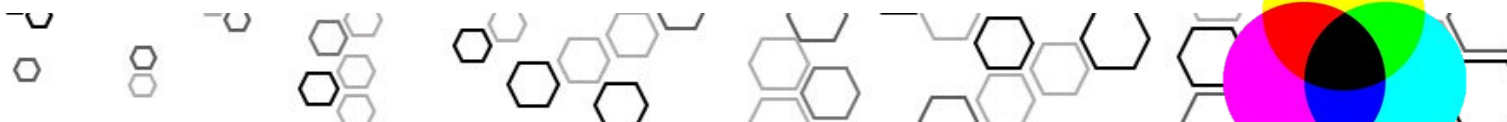
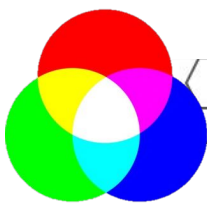


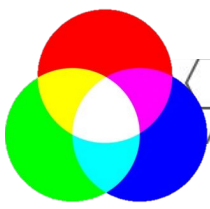
POOL LIGHT



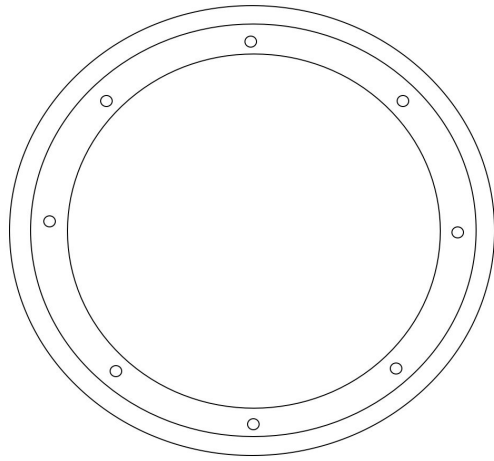


FACT FILE:

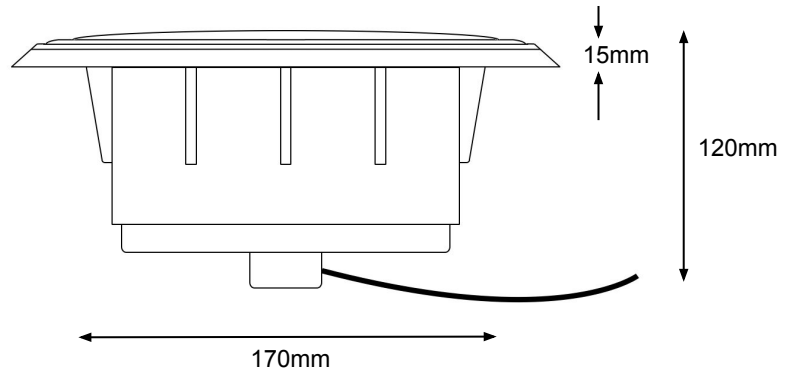
	<u>Single Colour</u>	<u>RGBW Colour Mixing</u>
<u>General Information</u>		
Body Construction	ABS for swimming pools	ABS for swimming pools
Cover glass	Makrolon (Polycarbonate)	Makrolon (Polycarbonate)
Recommended Height Installation	N/A	N/A
Compliance	SANS 60598	SANS 60598
IP Rating	IP 68	IP 68
Control Type	External power supply	External power supply
<u>Electrical Information</u>		
Electrical Class	Power supply is Class 1	Power supply is Class 1
Socket Options	N/A	N/A
Supply Voltage	12V AC	12V AC
Surge Protection	Dependent on external power supply	Dependent on external power supply
Power Factor	Better than 0.94	Better than 0.94
<u>Optical Information</u>		
CRI	+85	N/A
CCT	5000K (White)	N/A
	<u>Single Colour</u>	<u>RGBW Colour Mixing</u>
<u>Performance</u>		
Total Circuit load and Lumens	80 LED Blue – 200 lumens 80 Led white – 3000 lumens 16W for White 13W for Blue	84 x RGBW 5050 LEDs Rose – 550 lumens Green – 420 lumens Blue – 200 lumens White – 500 lumens Magenta -210 lumens Cyan – 450 lumens Pale green – 480 lumens Yellow – 500 lumens Lilac – 520 lumens Gold – 330 lumens Electric pink – 150 lumens 12W maximum
<u>Operating Conditions</u>		
Operating Temperature range	-20°C to +45°C	-20°C to +45°C
<u>Dimensions and Mounting</u>		
Weight	1.5kg	1.5kg



FACT FILE:



245mm



Luminous intensity diagrams available for white LED's on request. Note that due to the rate of LED development, light output values can change without notice - please contact us for updated values.