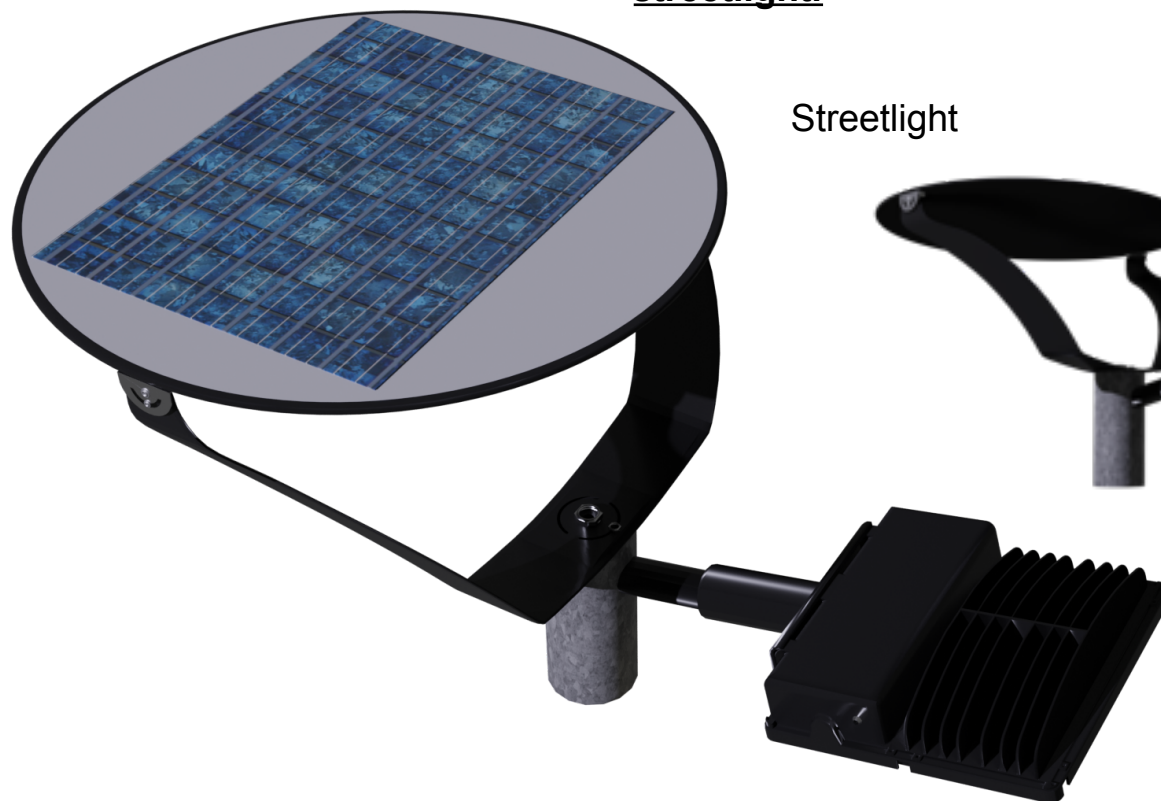




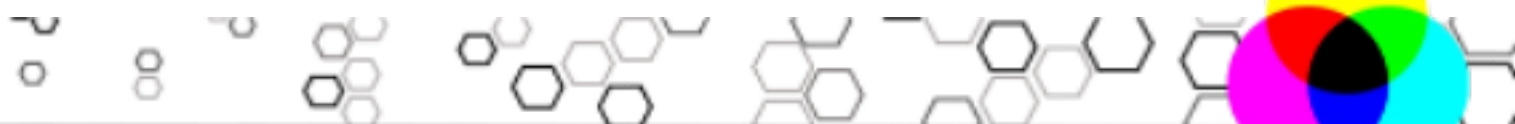
**Suncatcher 2 Floodlight or streetlight.**



Streetlight



Floodlight

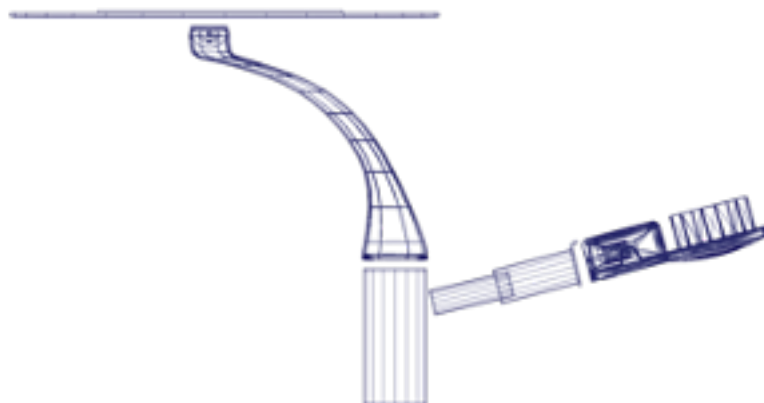




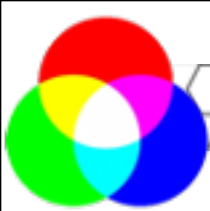
## FACT FILE:



<b><u>Solar panel information</u></b>	
Specifications	Mono-crystalline - 595mm diameter – 35W 14V
Rated life and performance of Solar panel	20 years and 80%
Weathering resistance	Tempered glass – light to moderate hail resistant.
<b><u>Battery information</u></b>	
Type	Lithium Iron Phosphate (LiFePO4)
Capacity	13,2V 160 Watt Hour.
Control Type	Protection against over and under charging – activated by micro day/night switch
Number of cycles	3000 – translates to 8 years if activated once every 24 hours. (Then battery pack would need to be replaced.)
<b><u>Luminaire specifications</u></b>	
Lid – housing the solar panel	Either marine grade aluminium or stainless steel 312. (Polypropylene to follow)
Main lens	Macrolon grade polycarbonate – UV stable for 10 years minimum in direct sunlight
Gallery or base	Glass filled nylon – to fit over 76mm to 80mm diameter pole (pole not included)
IP rating	IP 65
<b><u>LEDs specifications</u></b>	
LED type	Seoul semiconductor Z5 (3535)
LED CCT	2700K or 3000K or 4000K or 5000K – RGB possible too.
LED CRI	Typical 84 – up to 95 on request
Maximum drive current of LEDs	2000mA – however we set the current at 450mA initial – this will drop through the night in a linear fashion till sunrise – typically after 12 hours the LEDs will be operating at 330mA
Initial lumens – on PCB within light (16W)	1800 lumens – decreasing over the course of a 12 hour night to 1300 lumens
Initial lumens – on PCB within light (8W)	900 lumens – decreasing over the course of a 12 hour evening to 750 lumens
<b><u>Dimensions and Mounting</u></b>	
Weight	
Special pole requirements	No – a normal pole with a 76mm neck is sufficient – please consult us for pole designs – dependant on height.
Recommended mounting height	4-8m
Operating temperatures range	-20 to + 45 degrees C



Please note that we reserve the right to change information or specifications due to product advancement and development – without notice. Always check on our website for the most up to date information



33W solar panel – can be tilted and rotated – independently from the light itself

LM 6 marine grade aluminium powder coated

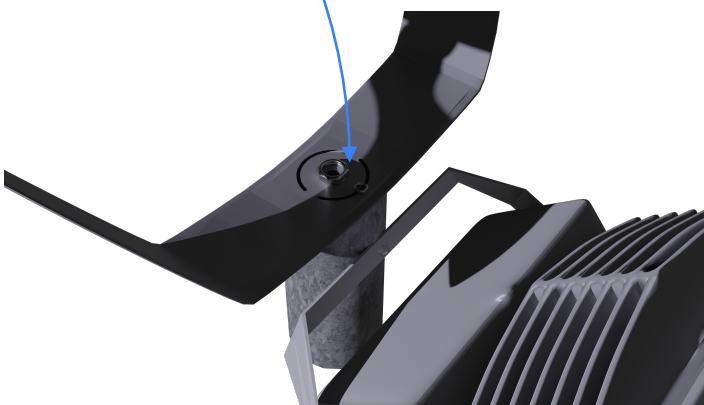
M12 Nylocknut to allow solar panel to be rotated to best face the sun

Spigot to fit over 76mm diameter pole

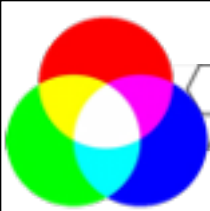
Micro day/night switch

160W hour LiF04 (Lithium iron phosphate cells)

Charge controller

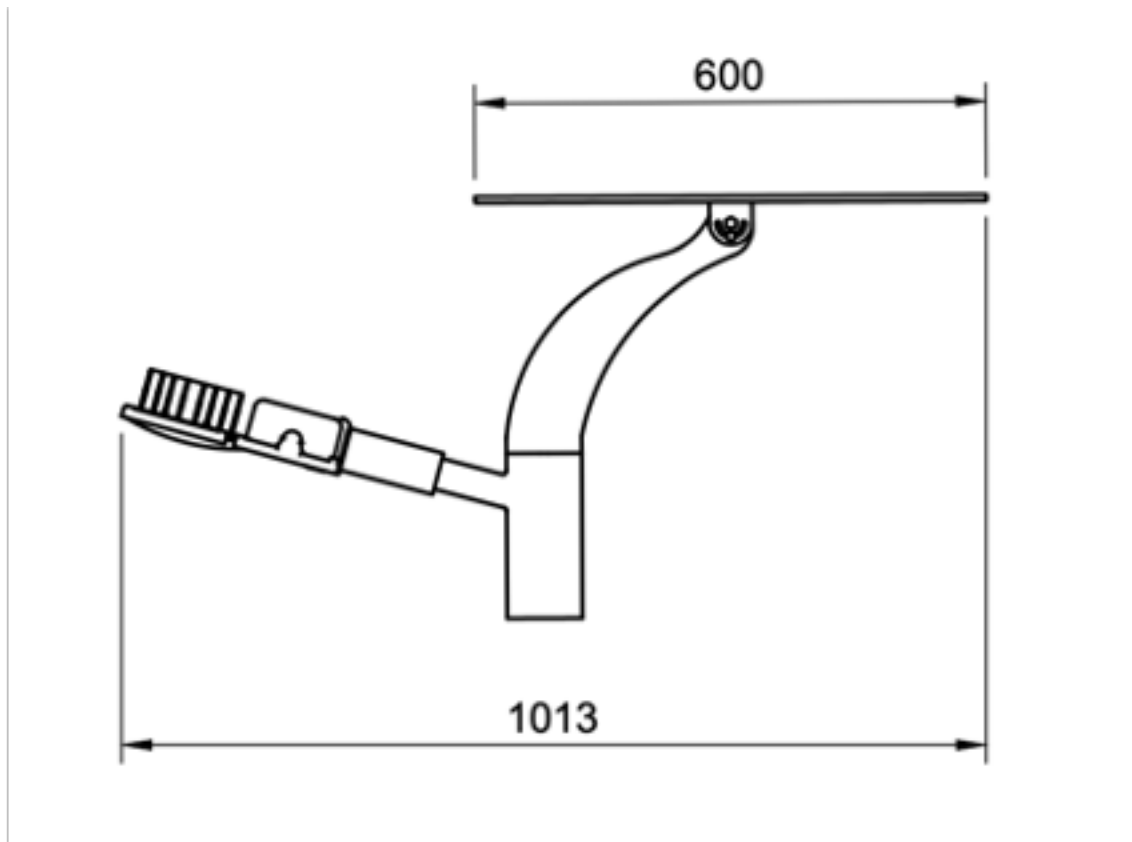


Please note that we reserve the right to change information or specifications due to product advancement and development – without notice. Always check on our website for the most up to date information

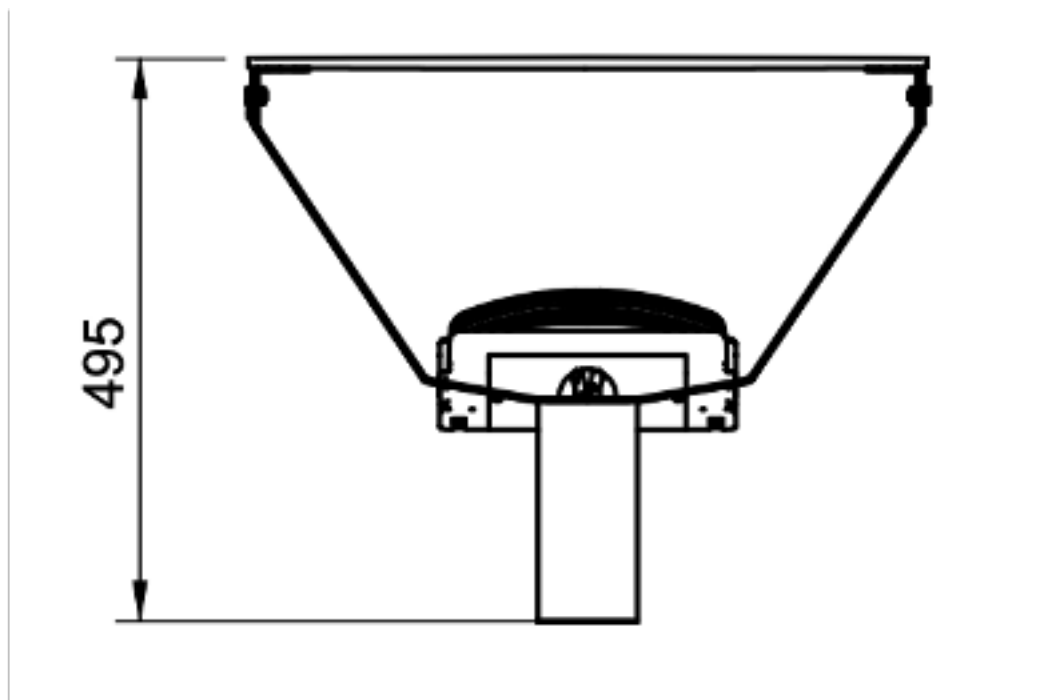


FACT FILE:

Side View:

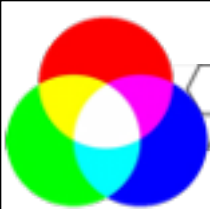


Front View:



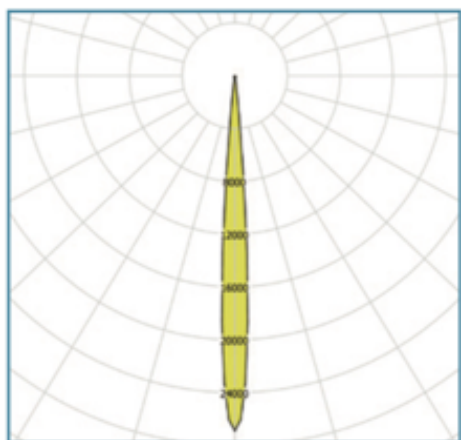
Please note that we reserve the right to change information or specifications due to product advancement and development – without notice. Always check on our website for the most up to date information

Giantlight (PTY) LTD, Tel: +27 11 704 1450 / +27 82 451 5506, 169 Bush Telegraph road. Northlands Business Park, North Riding, Gauteng, South Africa, [www.giantlight.co.za](http://www.giantlight.co.za), email>otto@giantlight.co.za ; Wolfgang@giantlight.co.za

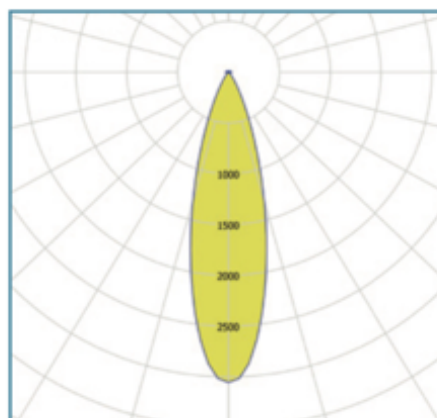


## FACT FILE:

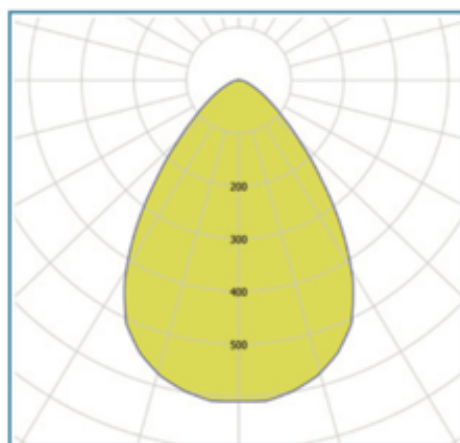
### LIGHT DISTRIBUTION OPTIONS



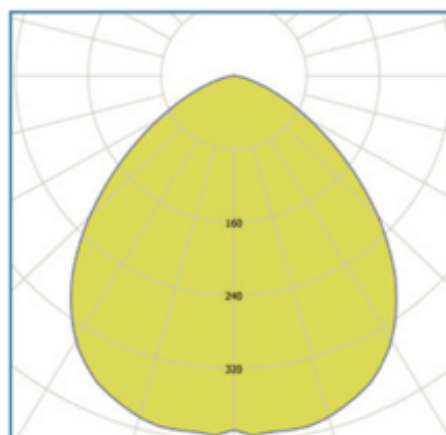
10 degree narrow beam



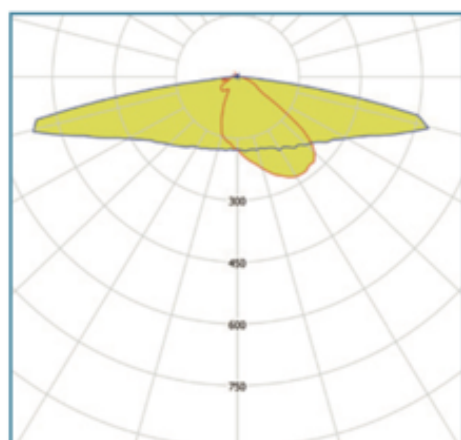
25 degree medium beam



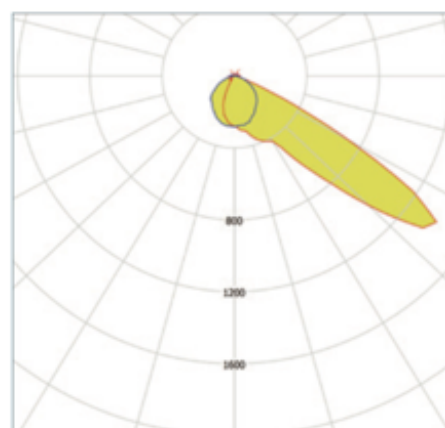
60 degree wide beam



90 degree extra wide beam

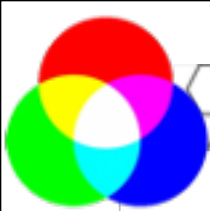


Batwing T2



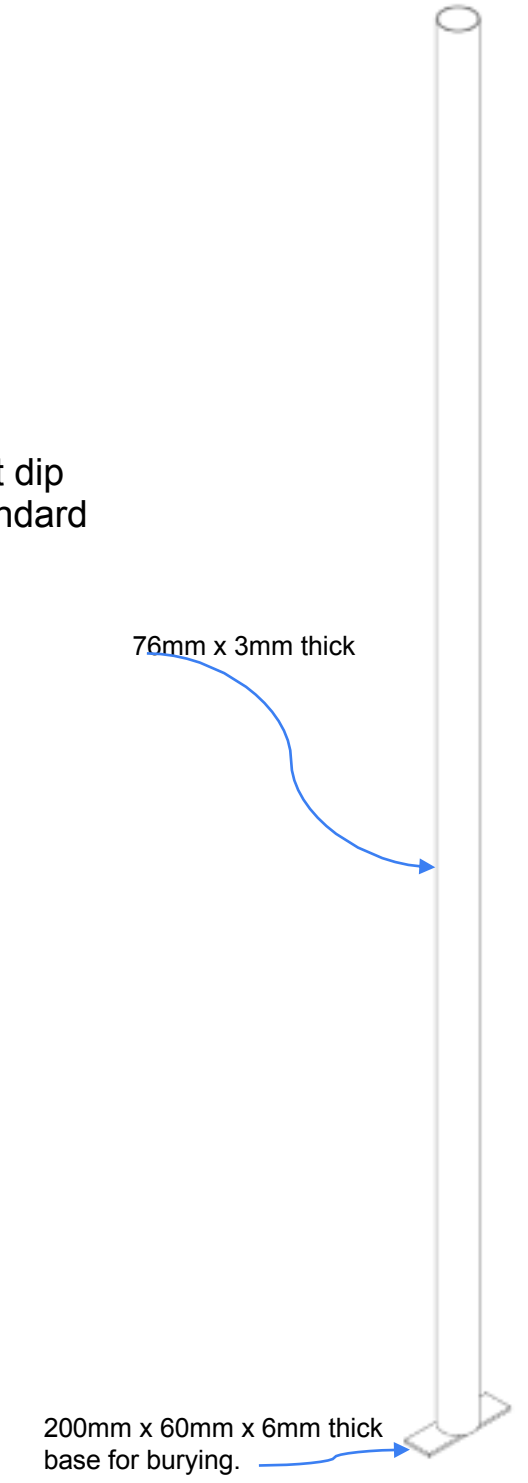
Asymmetric

Please note that we reserve the right to change information or specifications due to product advancement and development – without notice. Always check on our website for the most up to date information



Typical stepped pole – 4m and up

Typical straight pole – 3m maximum



Mild steel Hot dip galvanised standard