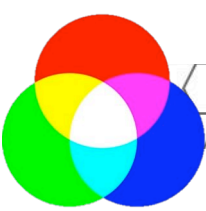


**35W/70W Solar Floodlight or streetlight**





## FACT FILE:



<b>Solar panel information</b>	35W	70W
Specifications	Mono-crystalline – 150W 18V	Mono-crystalline – 250W 30V
Rated life and performance of Solar panel	20 years and 80%	20 years and 80%
Weathering resistance	Tempered glass – light to moderate hail resistant.	Tempered glass – light to moderate hail resistant.
<b>Battery information</b>		
Type	Lithium Iron Phosphate (LiFePO4)	Lithium Iron Phosphate (LiFePO4)
Watts/hour	320W per Hour	634W per hour
Control Type	Protection against over and under charging – activated by micro day/night switch	Protection against over and under charging – activated by micro day/night switch
Number of cycles	3000 – translates to 8 years if activated once every 24 hours. (Then battery pack would need to be replaced.)	3000 – translates to 8 years if activated once every 24 hours. (Then battery pack would need to be replaced.)
<b>Luminaire specifications</b>		
Eco cannon	LM6 marine grade aluminium, powder coated. Stirrup – 312 Stainless steel	LM6 marine grade aluminium, powder coated. Stirrup – 312 Stainless steel
Cover glass	4mm toughened glass	4mm toughened glass
<b>LEDs specifications</b>		
LED type	Seoul semiconductor Z5 (3535)	Seoul semiconductor Z5 (3535)
LED CCT	2700K or 3000K or 4000K or 5000K – RGB possible too.	2700K or 3000K or 4000K or 5000K – RGB possible too.
LED CRI	Typical 84 – up to 95 on request	Typical 84 – up to 95 on request
Maximum drive current of LEDs	2000mA – however we set the current at 450mA initial – this will drop through the night in a linear fashion till sunrise – typically after 12 hours the LEDs will be operating at 330mA	2000mA – however we set the current at 450mA initial – this will drop through the night in a linear fashion till sunrise – typically after 12 hours the LEDs will be operating at 330mA
Initial lumens – on PCB within light	3600 lumens – decreasing over the course of a 12 hour night to 2640 lumens	7200 lumens – decreasing over the course of a 12 hour night to 3600 lumens
<b>Dimensions and Mounting</b>		
Weight	38kg	48kg
Special pole requirements	Yes – due to weight and windage a stronger than normal streetlight pole is required	Yes – due to weight and windage a stronger than normal streetlight pole is required
Recommended mounting height	4 – 8m	4 – 8m
Operating temperatures range	-20 to + 45 degrees C	-20 to + 45 degrees C

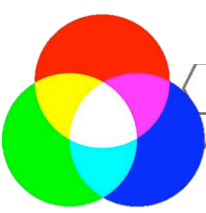


Solar panel can be tilted from horizontal to 45 degrees. Uses 2 x 12mm bolts/nuts to lock in position

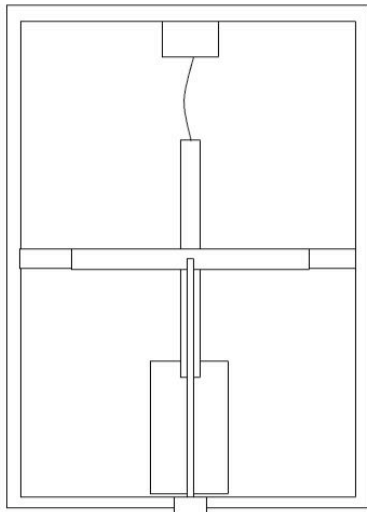
Solar panel can be rotated 360 degrees on pole.

Light can be rotated 360 degrees around pole – up to 4 lights can be mounted – but will need to reduce in wattage – total wattage cannot exceed 70 W

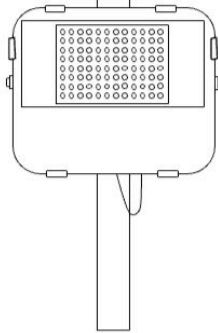
Please note that we reserve the right to change information or specifications due to product advancement and development – without notice. Always check on our website for the most up to date information



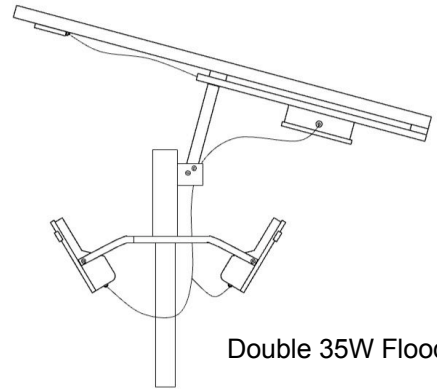
680mm – for 30W flood  
1000mm – for 70W flood



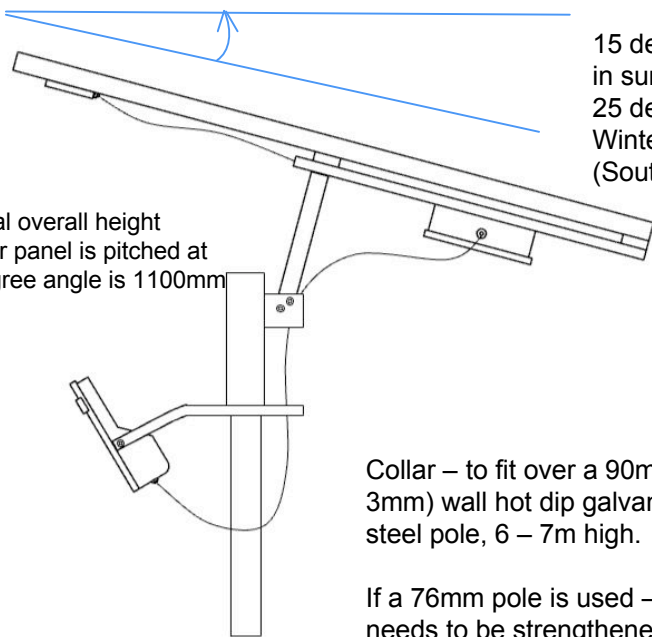
1480mm – for 30W flood  
1600mm – for 70W flood



Single 70W floodlight



Double 35W Floodlight



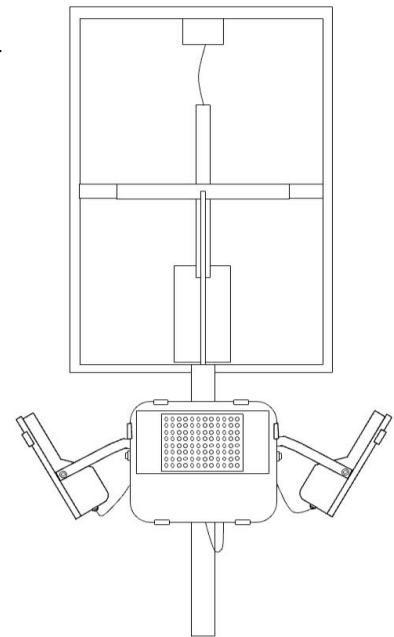
15 degree – to face North –  
in summer  
25 degree to face North in  
Winter  
(Southern Hemisphere)

Typical overall height  
If solar panel is pitched at  
25degree angle is 1100mm

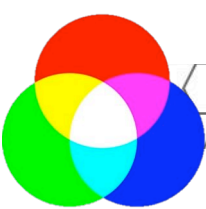


Collar – to fit over a 90mm (x  
3mm) wall hot dip galvanised  
steel pole, 6 – 7m high.

If a 76mm pole is used – it  
needs to be strengthened to  
suite weight and windage.



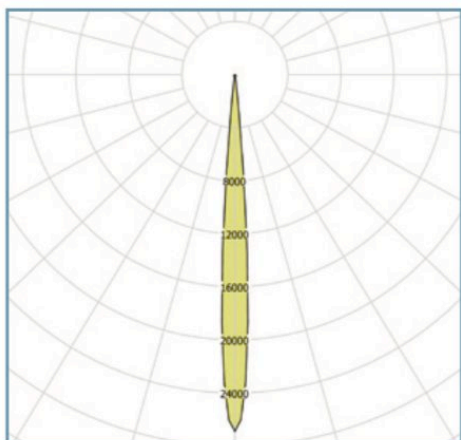
Four 15 W floodlights



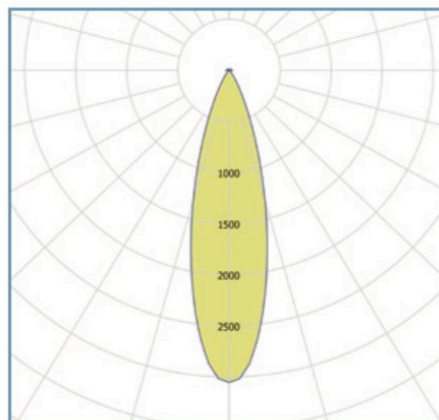
# FACT FILE:



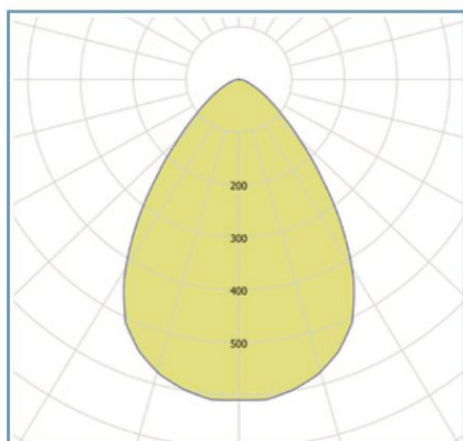
## LIGHT DISTRIBUTION OPTIONS



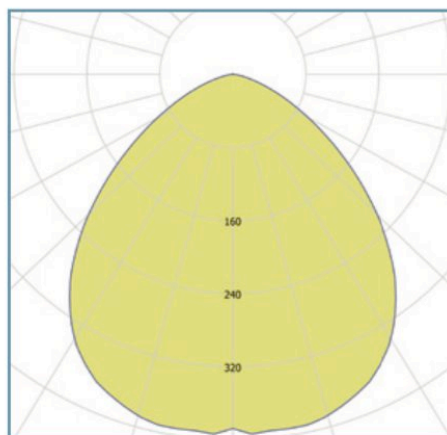
10 degree narrow beam



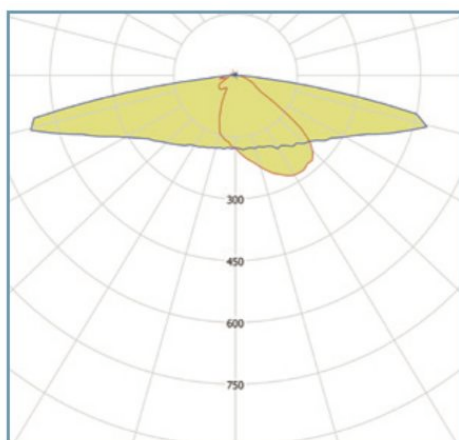
25 degree medium beam



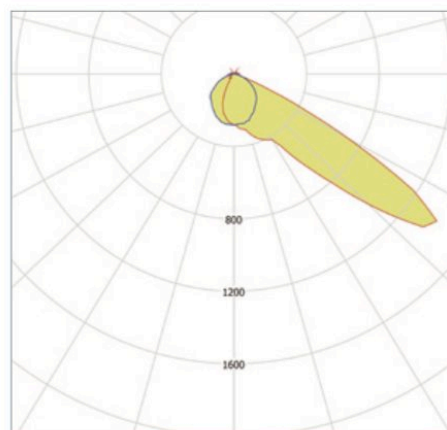
60 degree wide beam



90 degree extra wide beam



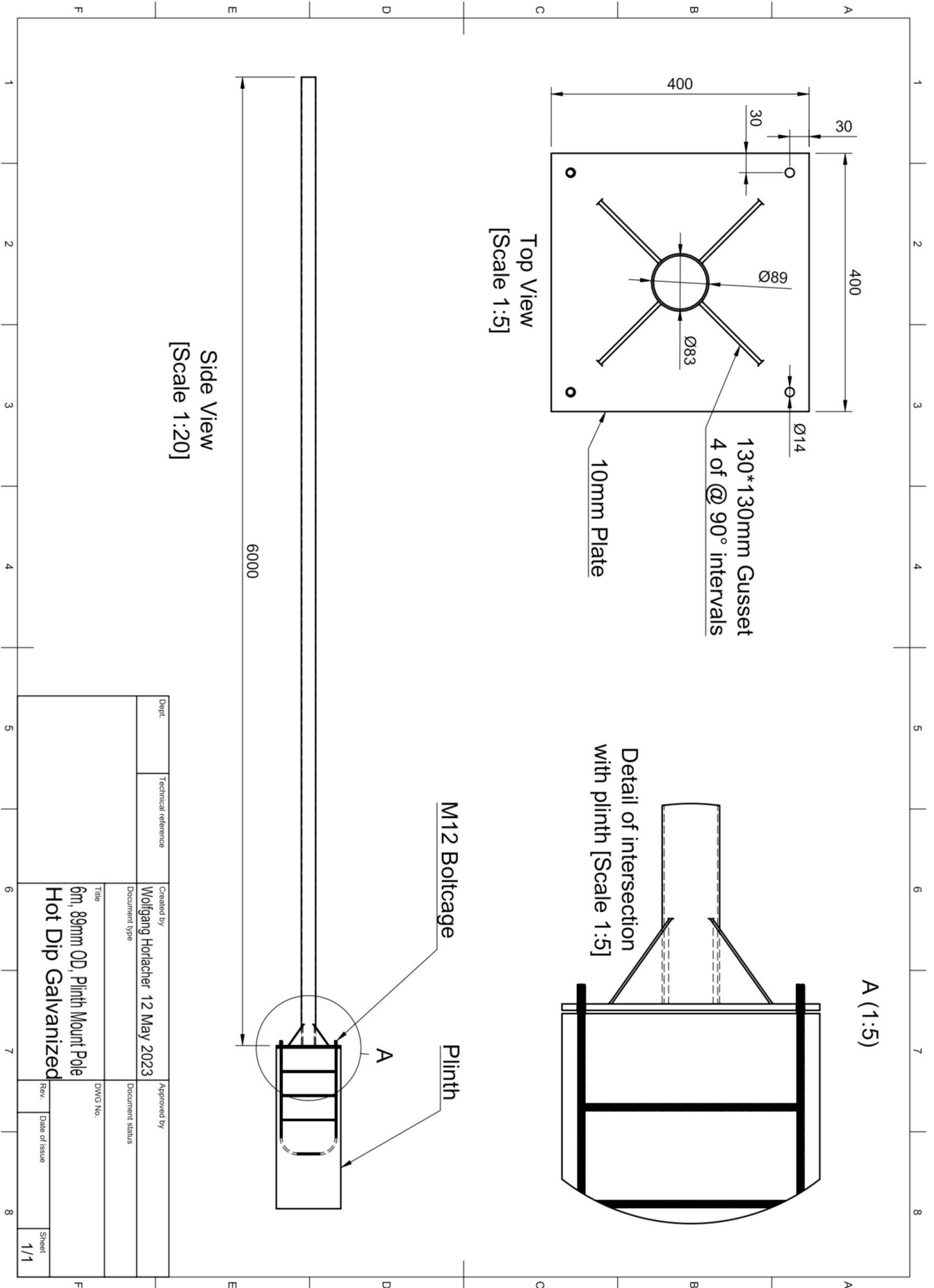
Batwing T2



Asymmetric

Please note that we reserve the right to change information or specifications due to product advancement and development – without notice. Always check on our website for the most up to date information

# Plinth mounted Pole

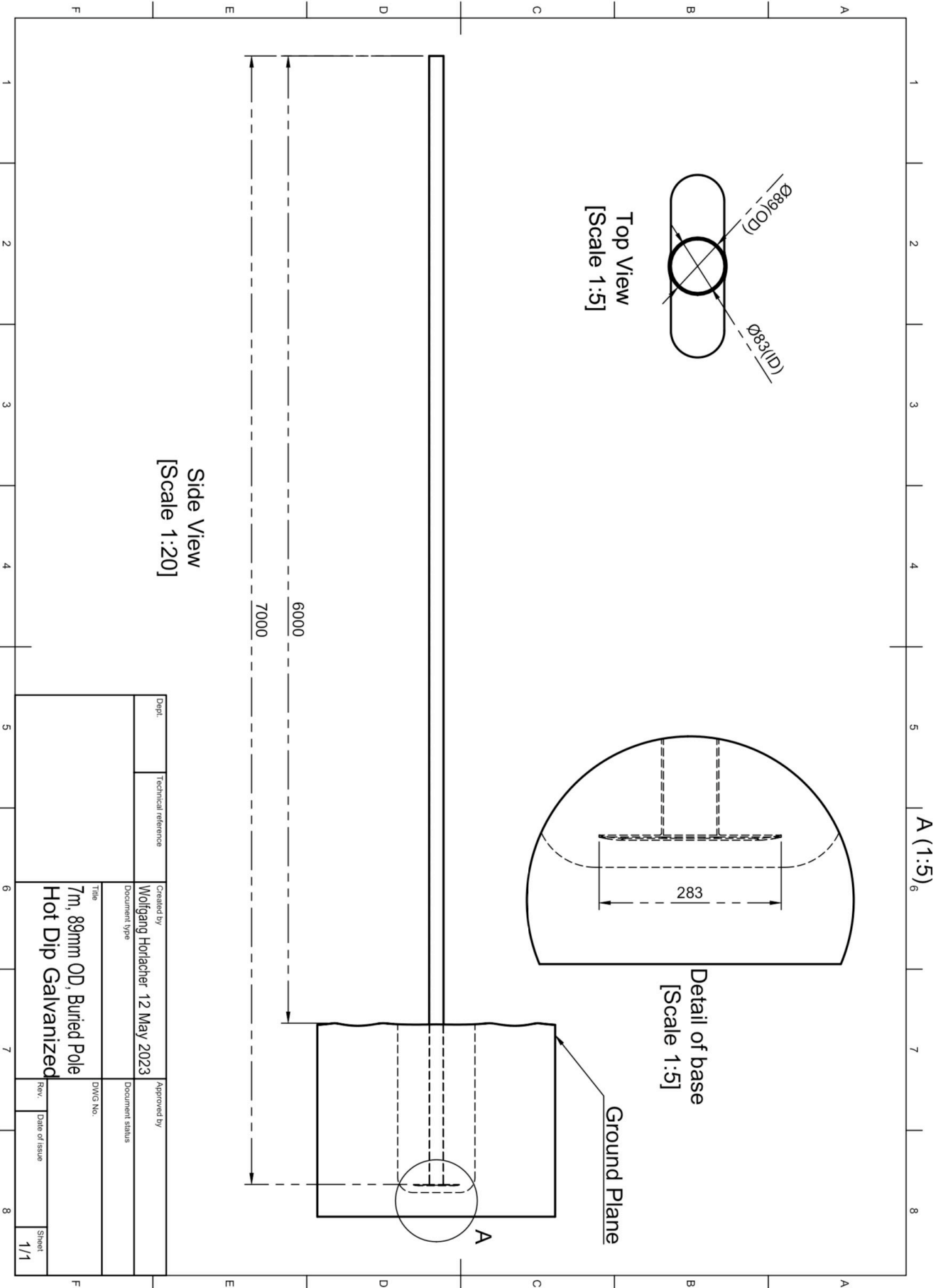


Dept:	Technical reference	Created by	Approved by
		Wolfgang Horlacher 12 May 2023	
	Document type	Document status	
	Title	DWG No.	
	6m, 89mm OD, Plinth Mount Pole		
	Hot Dip Galvanized		
Rev.	Date of issue		
	Sheet		
	1/1		

Please note that we reserve the right to change information or specifications due to product advancement and development – without notice. Always check on our website for the most up to date information



# Buried Pole



Dept.	Technical reference	Created by	Approved by
		Wolfgang Horlacher 12 May 2023	
		Document type	Document status
		Title	DWG No.
		7m, 89mm OD, Buried Pole	
		Hot Dip Galvanized	Rev.
			Date of issue
			Sheet
			1/1