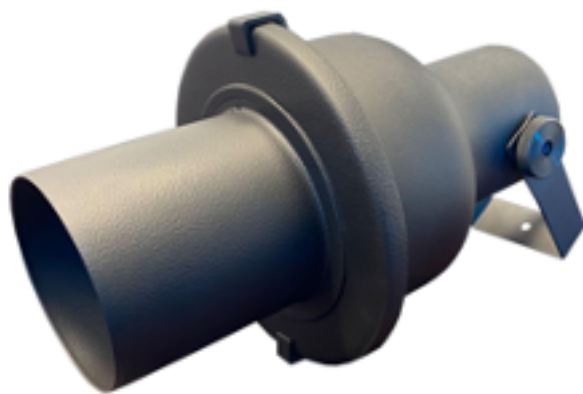




Cascade 30  
Low glare exterior floodlight





## FACT FILE:

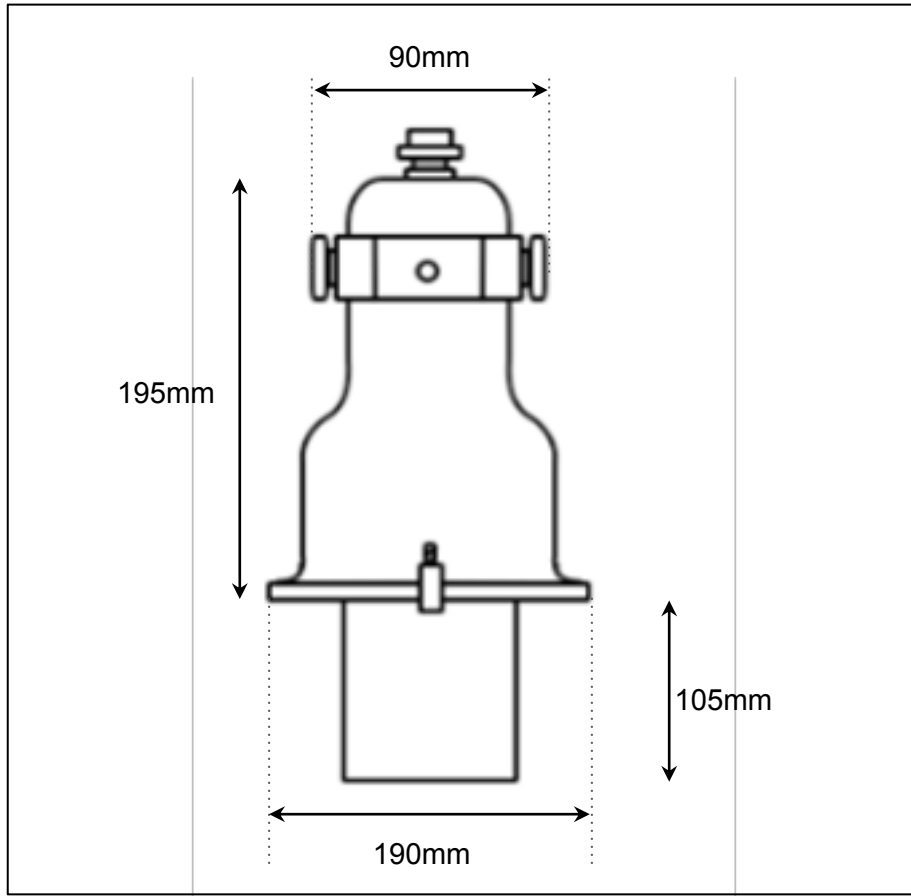


<b><u>General Information</u></b>	
<b>Body Construction</b>	Marine grade aluminium (LM6) //Stirrup is stainless steel (SS304) // Lens is PMMA (Acrylic).
<b>Reflector Type</b>	LEDIL – from 19 degree narrow to 55 degree wide beam
<b>Recommended Height Installation</b>	NA
<b>Compliance</b>	SANS 60598
<b>IP Rating</b>	IP 65
<b>Control Type</b>	On/off or DALI or DMX or Wi-Fi or RF
<b><u>Electrical Information</u></b>	
<b>Electrical Class</b>	Class 1
<b>Socket Options</b>	Supplied with 1m rubber trailing cable
<b>Supply Voltage</b>	230V Ac or 12V AC/DC or 24V AC or DC
<b>Surge Protection</b>	Dependant on power supply used. Standard would be 2kV – but 6kV or 10 kV on request
<b>Power Factor</b>	With integral 230V power supply – better than 0,95
<b><u>Optical Information</u></b>	
<b>CRI</b>	Better than 84 - +94 on request
<b>CCT</b>	From 2700K warm white to 6500K cool white or RGBW
<b><u>Performance</u></b>	
<b>Total Circuit load and Lumens</b>	In 4000K – 30W and 4800 lumens at source (not exiting the light)
<b><u>Operating Conditions</u></b>	
<b>Operating Temperature range</b>	-20 to +45C
<b><u>Dimensions and Mounting</u></b>	
<b>Weight</b>	Less than 2kg

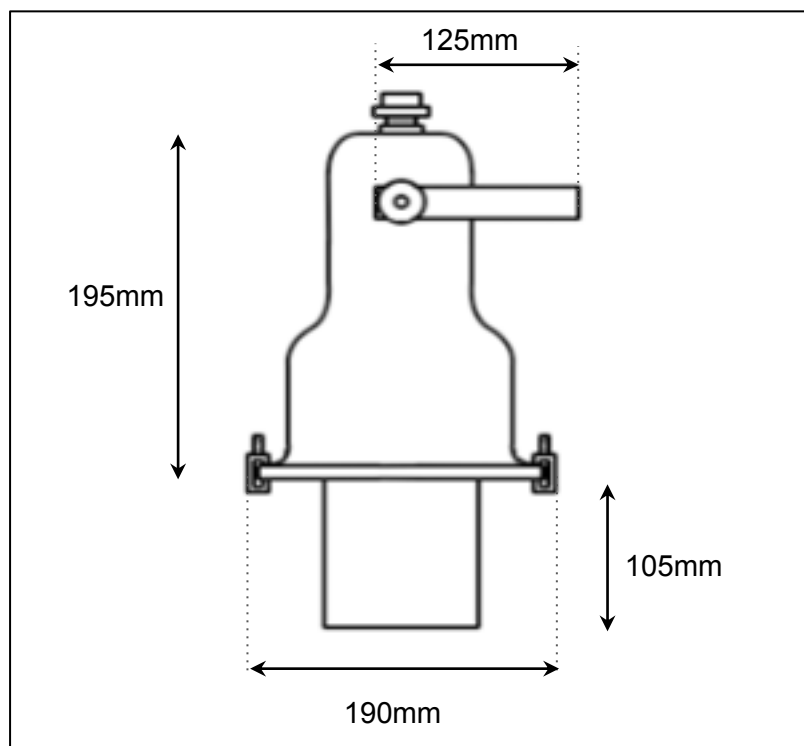


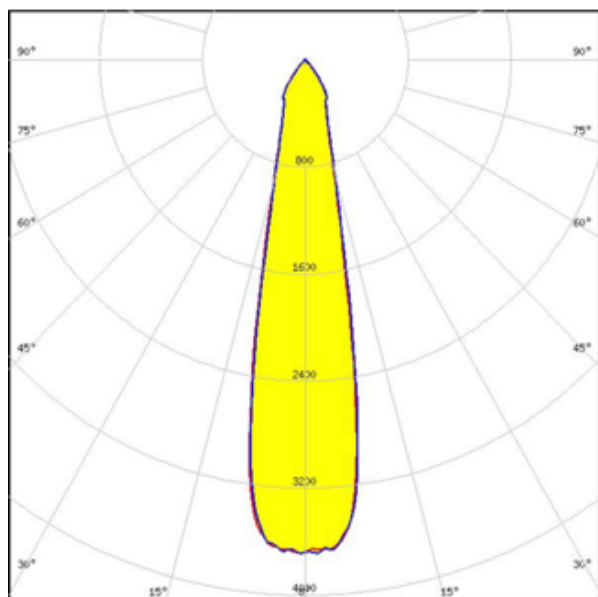
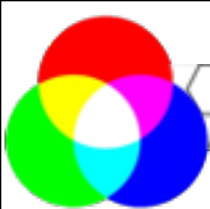
FACT  
FILE:

Front View



Side View

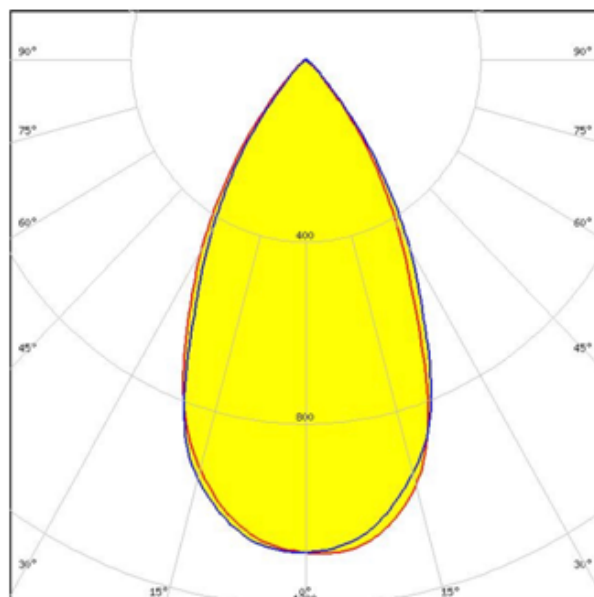




**Dimensions: 74.0 mm x 74.0 mm**

**Height: 40.00 mm**

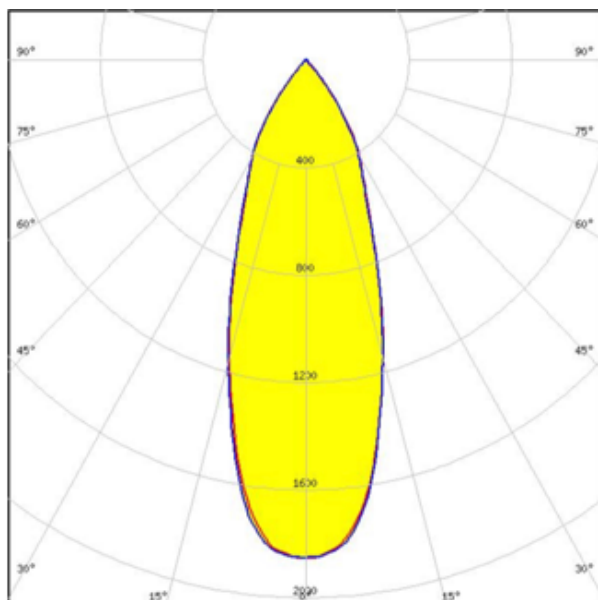
~19° spot beam



**Dimensions: 74.0 mm x 74.0 mm**

**Height: 40.00 mm**

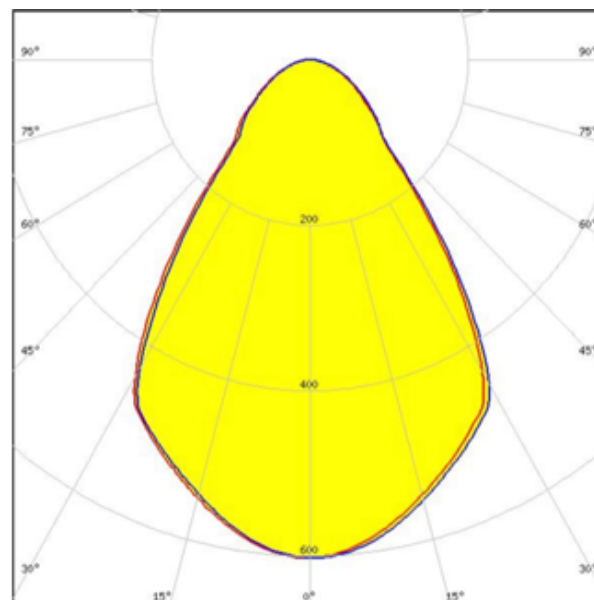
~55° wide beam



**Dimensions: 74.0 mm x 74.0 mm**

**Height: 40.00 mm**

~30° medium beam



**Dimensions: 74.0 mm x 74.0 mm**

**Height: 40.00 mm**

White version with ~75° wide beam