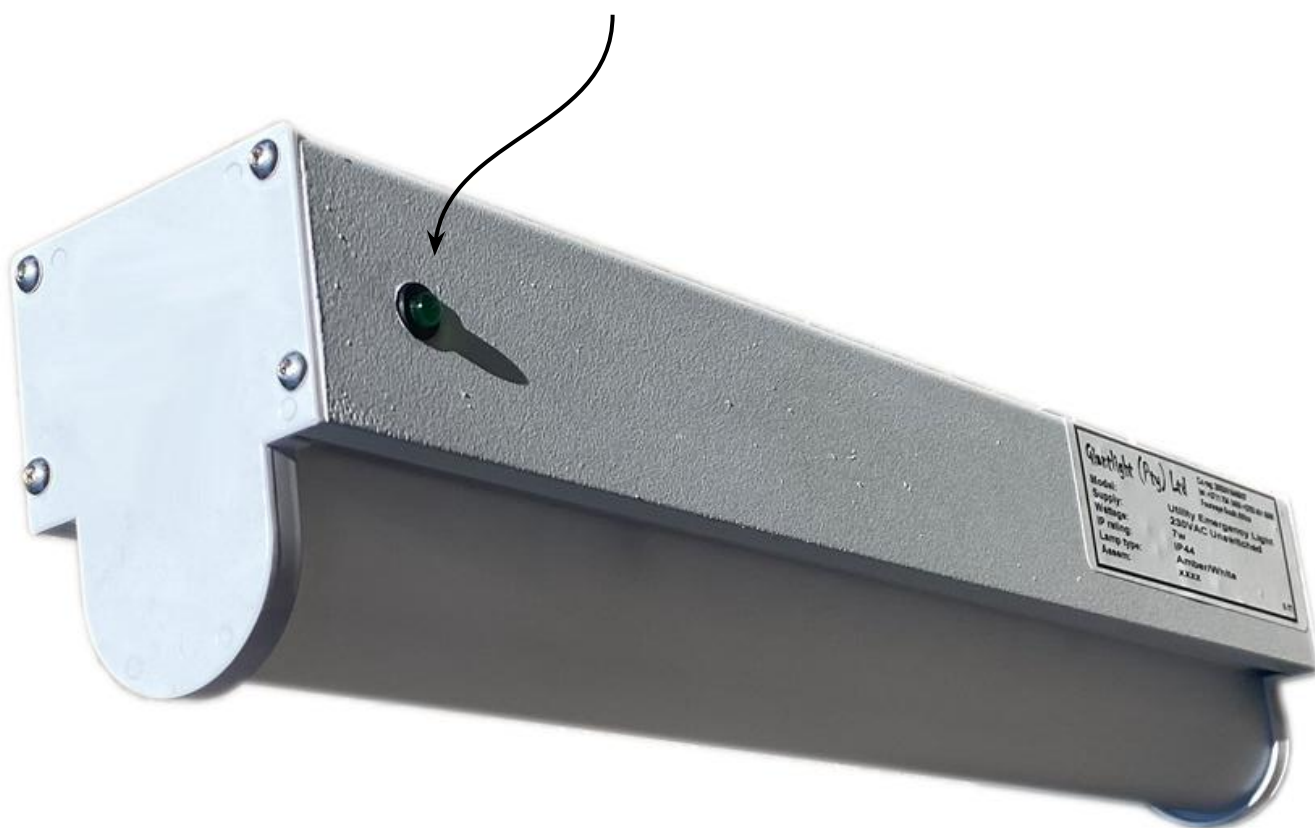
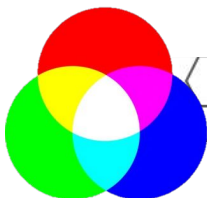


## Utility LED - Emergency light, Non Maintained or Maintained

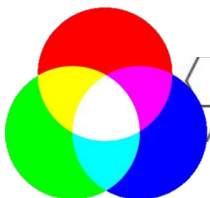
Indicator Light - Must be on and green



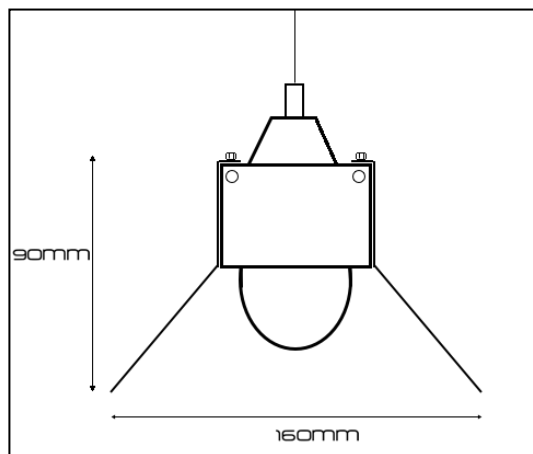


## FACT FILE:

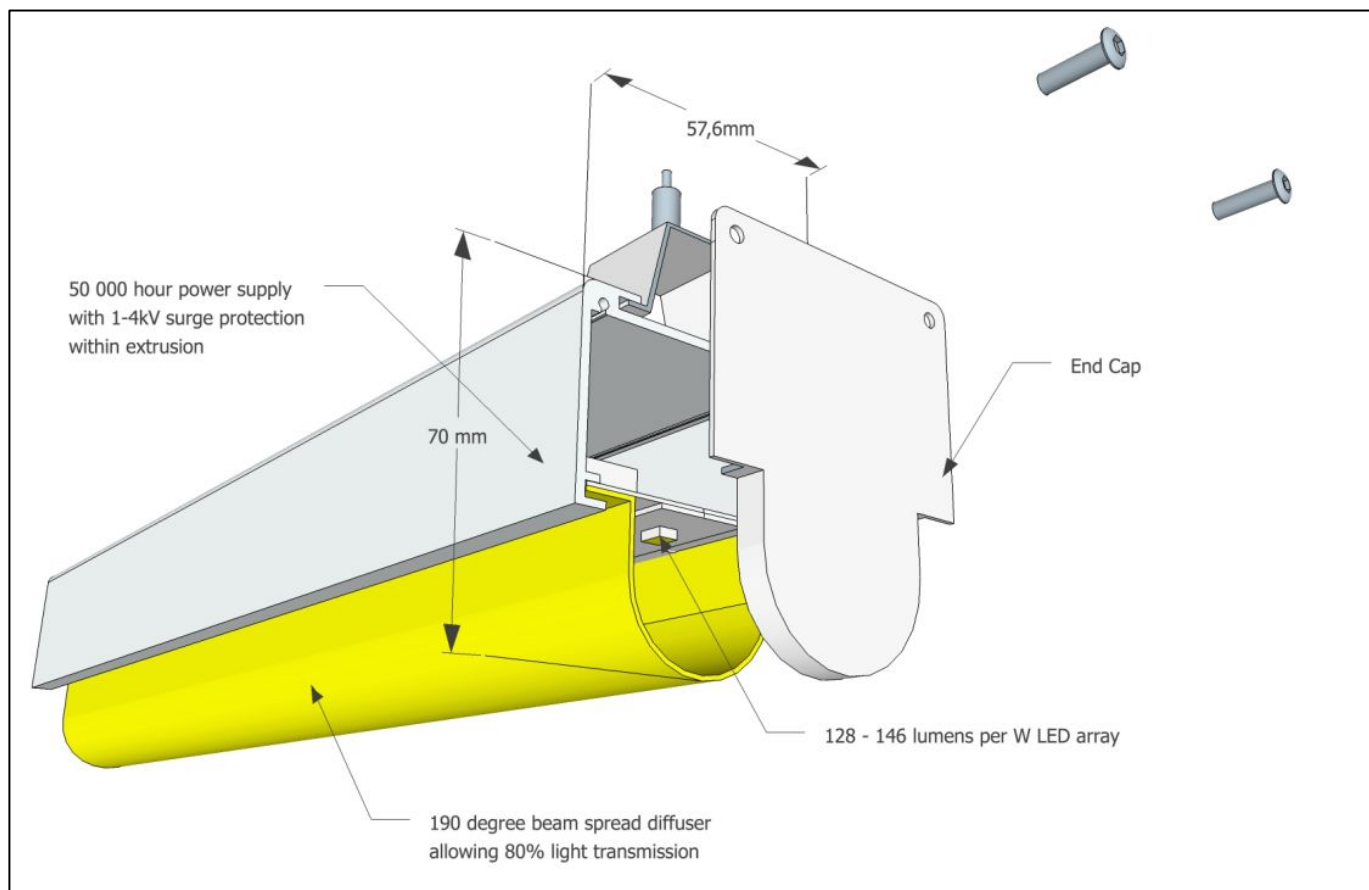
<b><u>General Information</u></b>	
<b>Body Construction</b>	Extruded aluminium - either anodized or powder coated
<b>Lens Type</b>	190 degree ultra wide distribution Opal lens with 80% transmission.
<b>Recommended Height Installation</b>	From 2m to 10m
<b>Compliance</b>	SANS 60598
<b>IP Rating</b>	IP 44 – splash proof IP 55 on reuest
<b>Control Type</b>	100 000 hour Tridonic or Helvar or TCI – internally mounted
<b>Dimmable</b>	Standard – no but with correct gear – then; Dali – Yes 1-10V – Yes DMX – Yes
<b>Lengths</b>	600mm or 1200mm or 1800mm
<b><u>Electrical Information</u></b>	
<b>Electrical Class</b>	Class 1
<b>Socket Options</b>	NA
<b>Supply Voltage</b>	230V AC 50HZ
<b>Surge Protection</b>	2KV in power supply
<b>Power Factor</b>	Better than 0.95
<b><u>Optical Information</u></b>	
<b>CRI</b>	Plus 80 minimum – plus 90 possible on request
<b>CCT</b>	4000K and 5000K and 3000K – (reduce lumens by 8% for 3000K)
<b><u>Performance</u></b>	
<b>Total Circuit load and Lumens</b>	600mm – 26W 4100 lumens at source 1200mm – 50W 8200 lumens at source 1800mm – 75W 12300 lumen as source
<b><u>Operating Conditions</u></b>	
<b>Operating Temperature range</b>	-20C to +45C
<b>Power Supply</b>	230V AC 50Hz
<b><u>Dimensions and Mounting</u></b>	
<b>Weight</b>	200g per m
<b>Installation Data</b>	IES Files – Yes



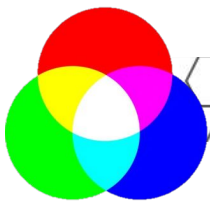
## FACT FILE:



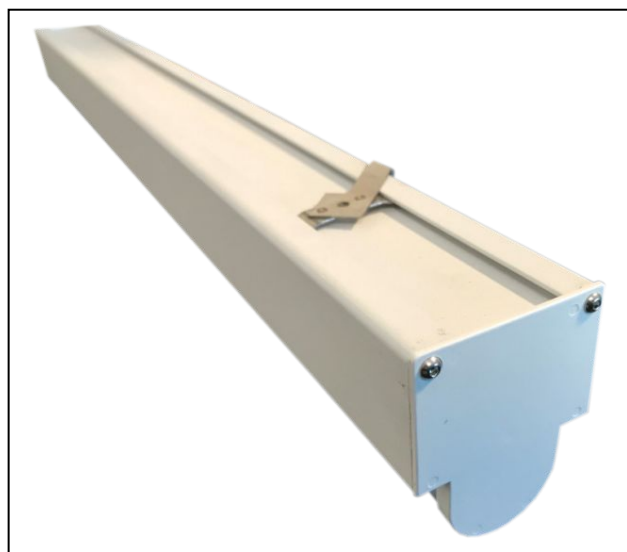
Optional wings – add on



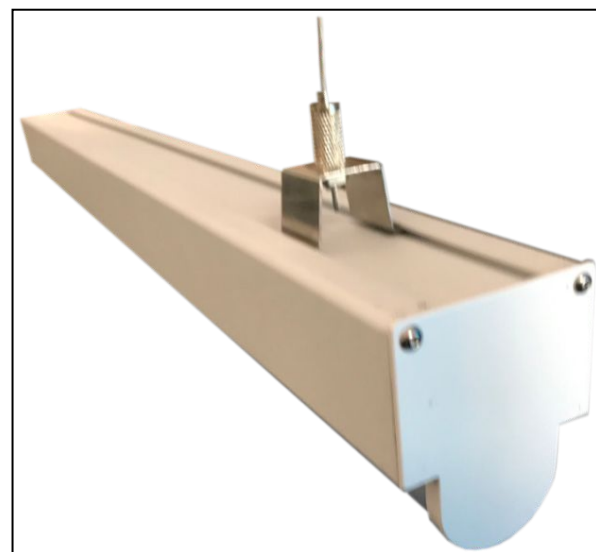
Lumen values are as measured at source - on the PCB - not exiting light fitting. Due to the fast pace of development - values are subject to change at any time and without notice.



**FACT FILE:**



Surface mount option



Pendant option

