



Fixed Spot / Variable Spot / Ambient Light  
(Magnetic Mounted Interchangeable Lighting System)



Fixed Spot (30W)

- No beam angle adjustments
- No CCT changes

Variable Spot (15W)

Can select between 3K, 4K and 6K

Change beam angles 15°, 24°, 38° and 60° with the rotating lens.

Ambient Light 10W and 20W

Can select between 3K, 4K and 6K



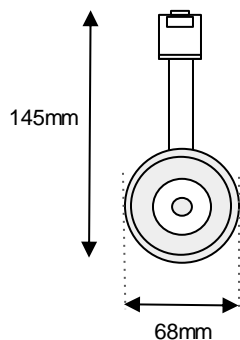
## FACT FILE:

	<u>Fixed Spot</u>	<u>Variable Spot</u>	<u>Linear Spot</u>	<u>Ambient Light</u>
<b>Body Construction</b>	Aluminium Body	Aluminium Body	Aluminium Body	Extruded Aluminium body with ABS ends and acrylic lens.
<b>Lens Type</b>	Acrylic	Acrylic	Acrylic	Acrylic Opal
<b>Recommended Height Installation</b>	From 1,8m to 4,5m	From 1,8m to 4,5m	From 1,8m to 4,5m	From 1,8m to 4m
<b>Compliance</b>	SANS 60598	SANS 60598	SANS 60598	SANS 60598
<b>IP Rating</b>	IP 20	IP 20	IP 20	IP 20
<b>Control Type</b>	On / Off	On / Off	On / Off	On / Off
<b>Electrical Class</b>	Sub 50V	Sub 50V	Sub 50V	Sub 50V
<b>Socket Options</b>	Magnetic, tool free clip in.	Magnetic, tool free clip in.	Magnetic, tool free clip in.	Magnetic, tool free clip in.
<b>Supply Voltage</b>	48V DC	48V DC	48V DC	48V DC
<b>Surge Protection</b>	To be Installed at power supply	To be installed at power supply	To be installed at power supply	To be installed at power supply
<b>Power Factor</b>	Dependent on power supply .	Dependent on power supply .	Dependent on power supply .	Dependent on power supply .
<b>CRI</b>	Better than 0,94	Better than 0,94	Better than 0,94	Better than 0,94.
<b>CCT</b>	Either 3K or 4K or 5K (Not selectable)	Selectable on light fixture; 3K or 4K or 6K	Selectable on light fixture; 3K or 4K or 6K	Selectable on light fixture 3K or 4K or 6K
<b>Beam angles</b>	15° , 24°, 38°, 60° (Fixed. Not selectable)	15° , 24°, 38°, 60° (Selectable on Light Fixture)	24°	120°
<b>Total Circuit load and Lumens</b>	30W, 2400 lumens exiting the light	15W, 1200 lumens exiting the light	12W 960 lumens exiting the light	20 Watts and 1600 lumens exiting the light. 10Watts and 1300 lumens exiting the light
<b>Operating Temperature range</b>	-20°C to +40°C	-20°C to +40°C	-20°C to +40°C	-20°C to +40°C
<b>Weight</b>	1kg	0.9kg	0.3kg	0.2kg f or 10W and 0.3kg for 20W

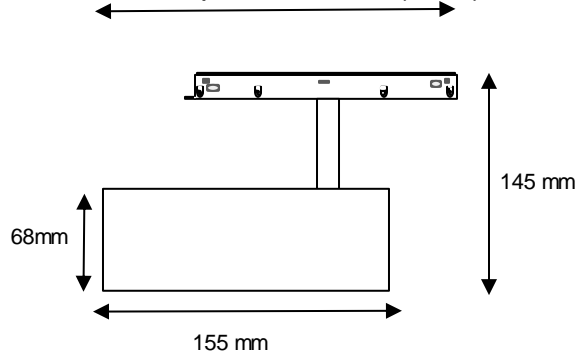


# FACT FILE:

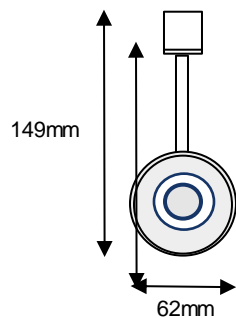
Fixed Spot Front View(30W):



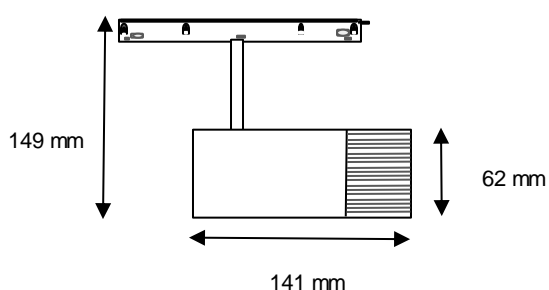
Fixed Spot Side View(30W):



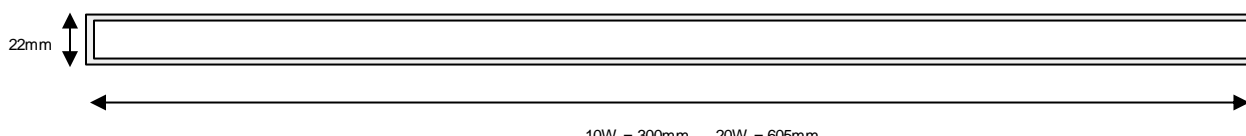
Variable Spot Front View (15W)



Variable Spot Side View (15W)

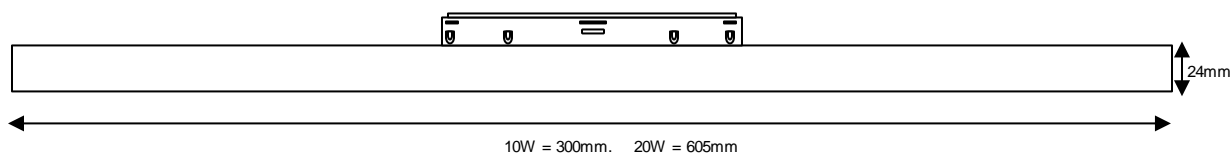


Ambient Light Front View: (20W)



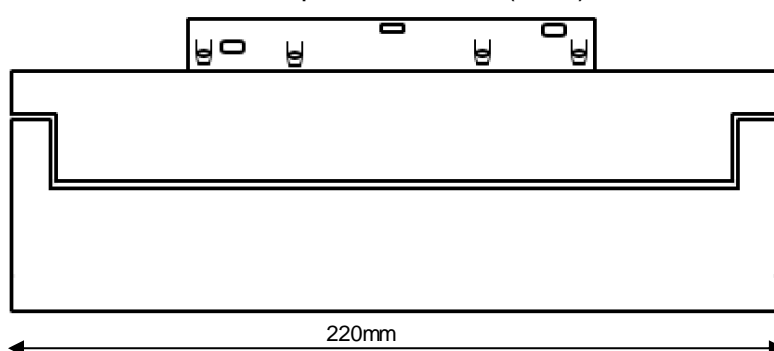
10W = 300mm. 20W = 605mm

Ambient Light Side View: (20W)

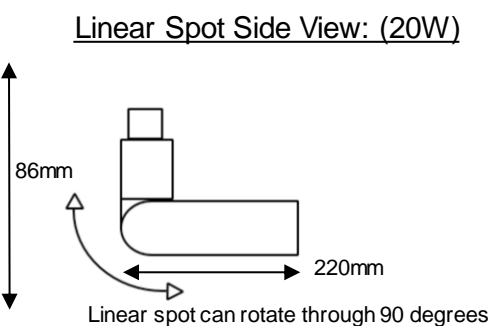


10W = 300mm. 20W = 605mm

Linear Spot Front View: (12W)

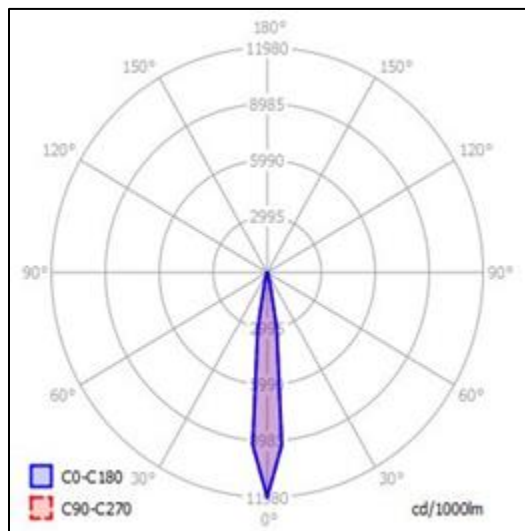


Linear Spot Side View: (20W)

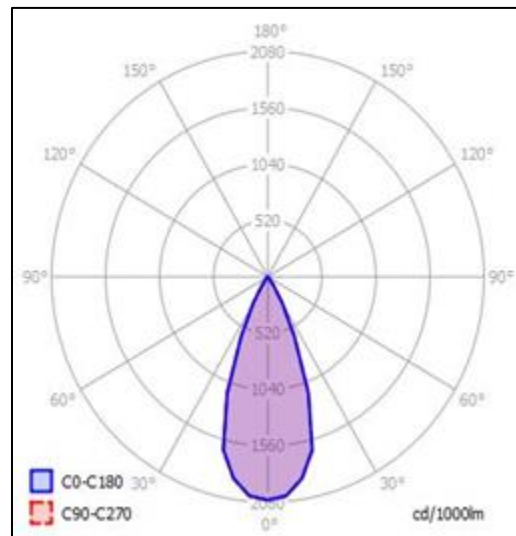




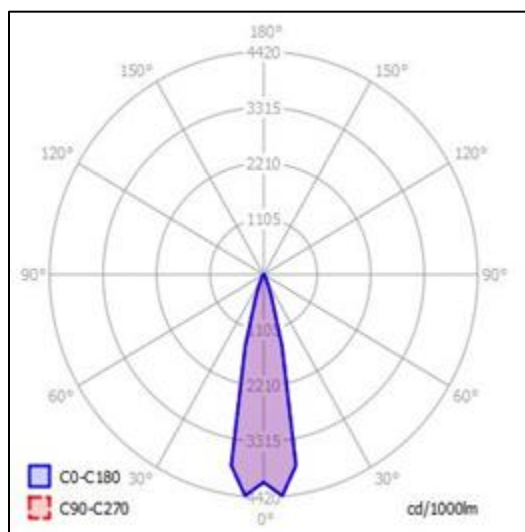
# FACT FILE:



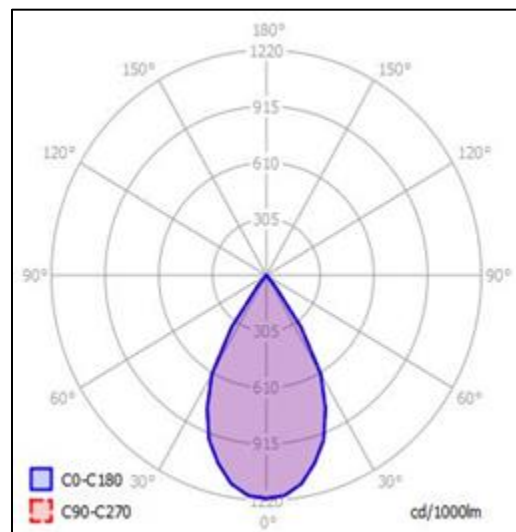
Variable Spot 15W 15°



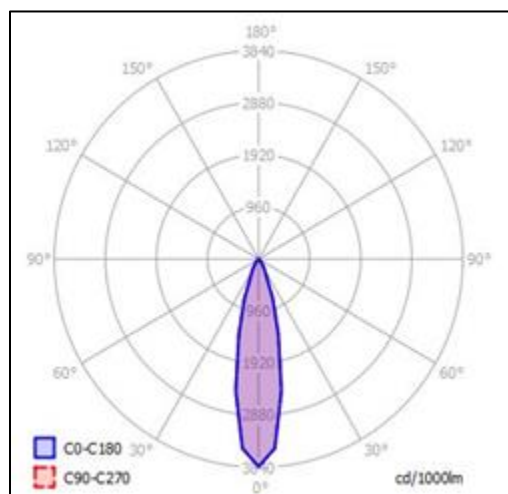
Variable Spot 15W 38°



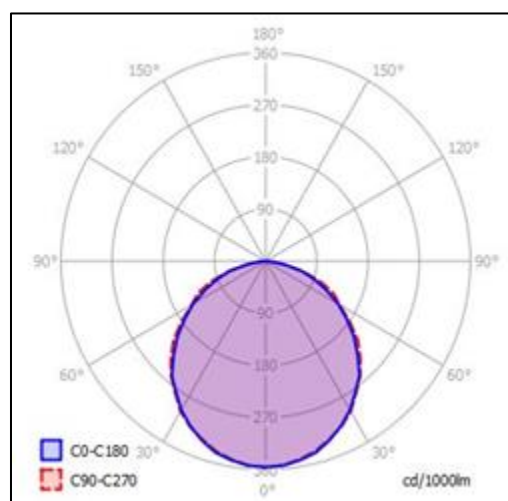
Variable Spot 15W 24°



Variable Spot 15W 60°



Fixed spot 30W 24°



Ambient Light