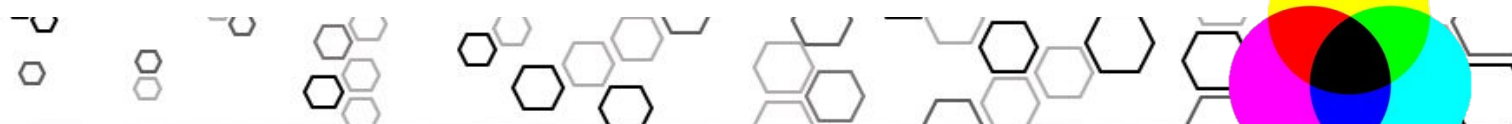
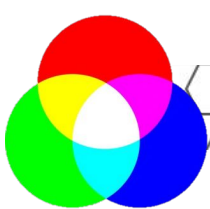


## Cascade 10

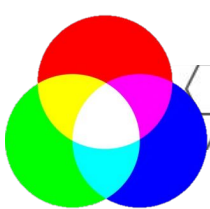




## FACT FILE:



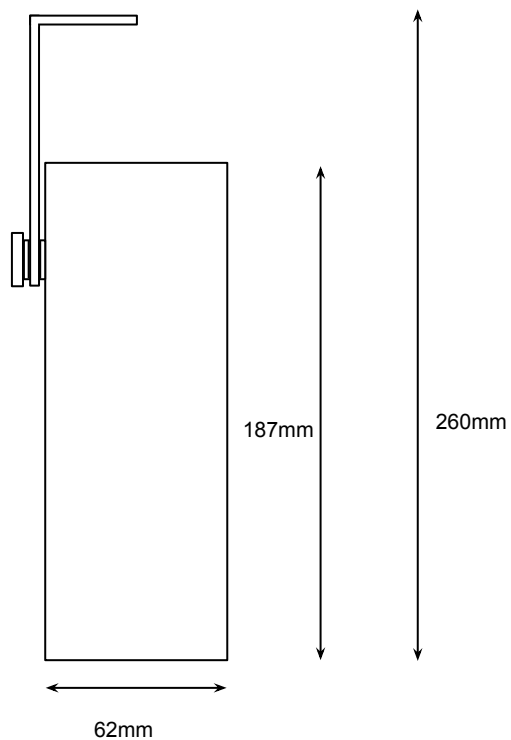
<b><u>General Information</u></b>	
<b>Body Construction</b>	Marine grade aluminium (LM6) powder coated – external grade
<b>Lens Type</b>	Acrylic
<b>Recommended Height Installation</b>	NA
<b>Compliance</b>	SANS 60598
<b>IP Rating</b>	IP 44 or IP 65
<b>Control Type</b>	On/off or RF for RGBW
<b><u>Electrical Information</u></b>	
<b>Electrical Class</b>	Class 1
<b>Socket Options</b>	Supplied with 1m rubber trailing cable
<b>Supply Voltage</b>	230V AC – or 12V AC
<b>Surge Protection</b>	Surge protection should be fitted in front of the lighting circuit in the DB board.
<b>Power Factor</b>	Better than 0,95
<b><u>Optical Information</u></b>	
<b>CRI</b>	Always better than 85 – 95 on request
<b>CCT</b>	From 2700K to 5000K and well as RGBW
<b><u>Performance</u></b>	
<b>Total Circuit load and Lumens</b>	Up to 7W GU 10 lamp dependant.
<b><u>Operating Conditions</u></b>	
<b>Operating Temperature range</b>	-20 to +45C
<b><u>Dimensions and Mounting</u></b>	
<b>Weight</b>	Under 500 grams



FACT FILE:



Front View:



Side View:

