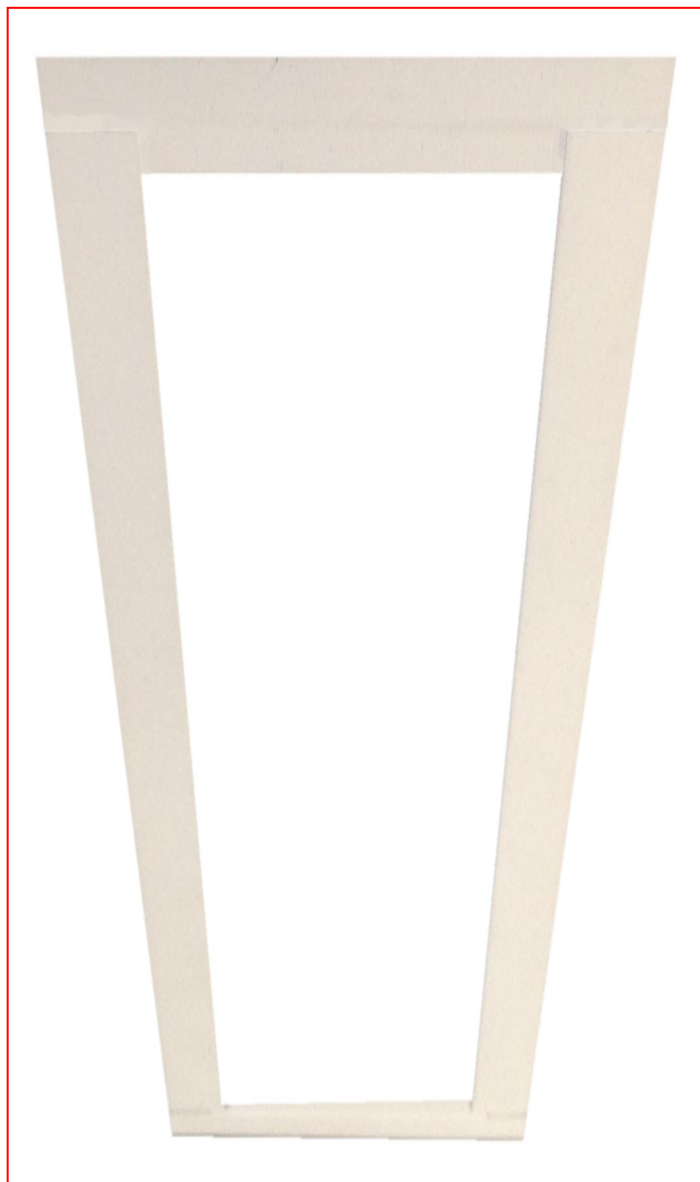
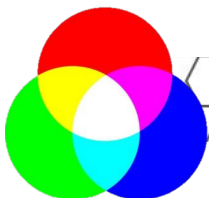


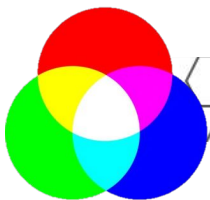
## LED Batten MEGA



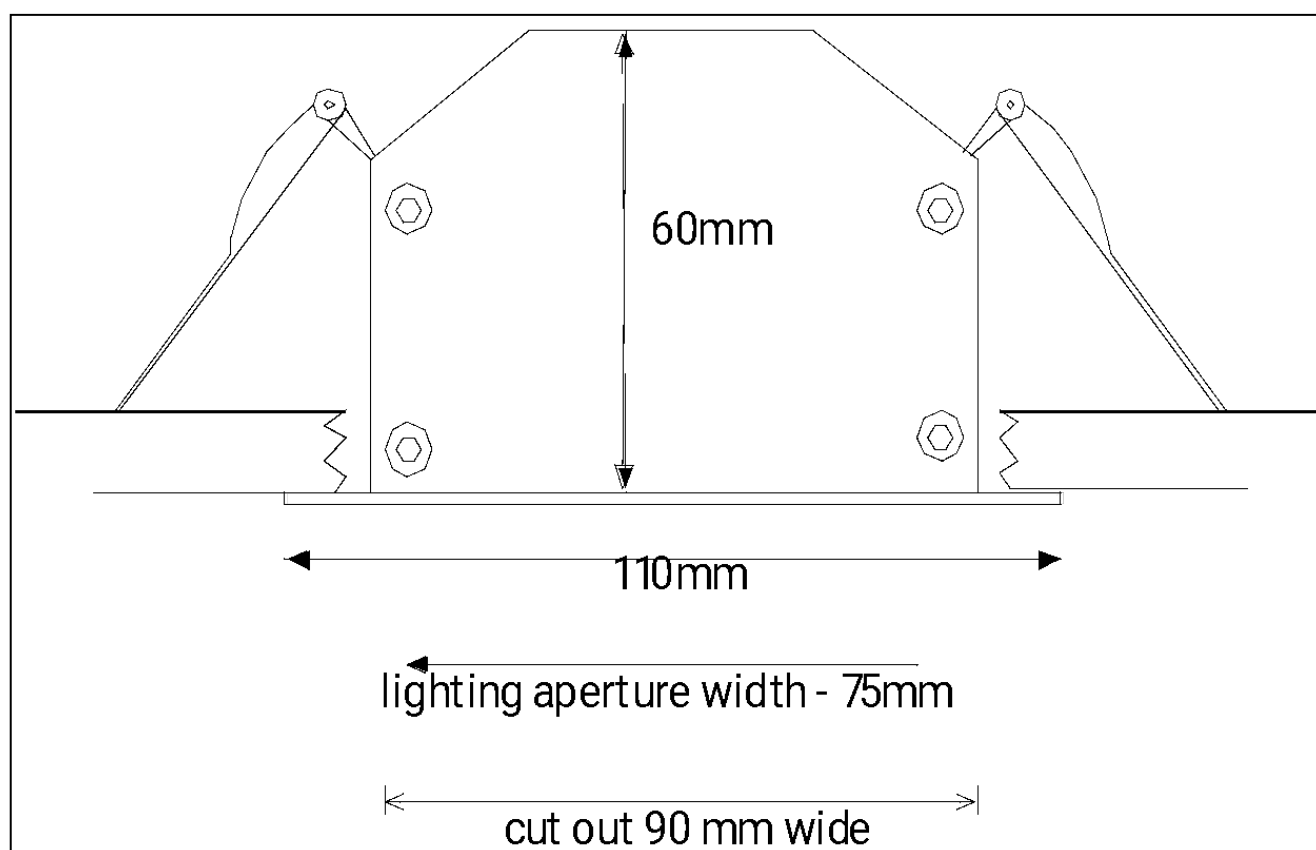
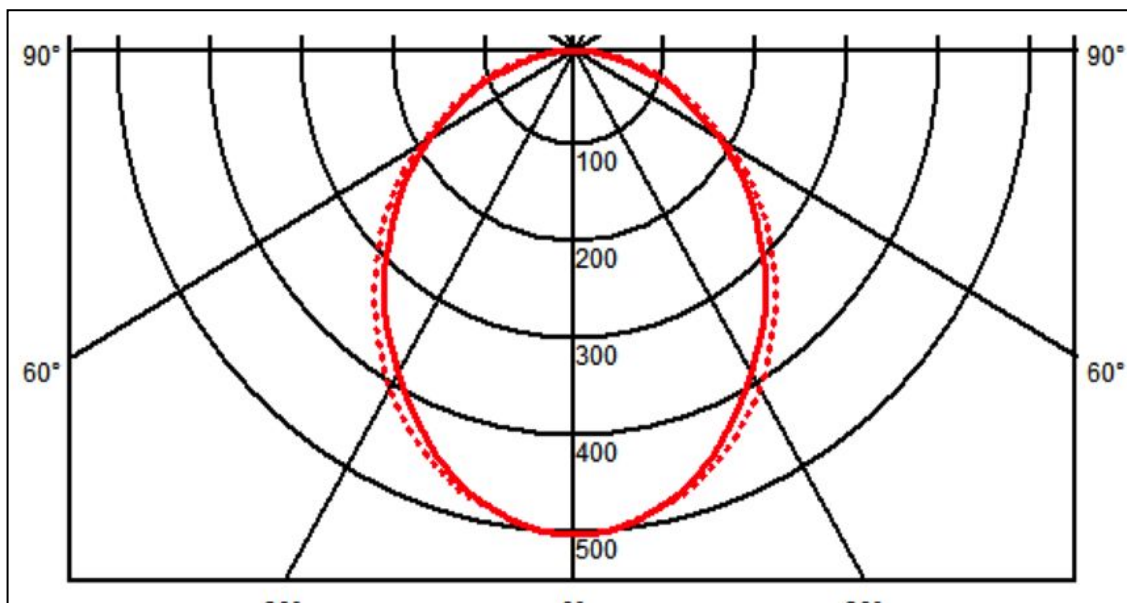


## FACT FILE:

<b><u>General Information</u></b>	
<b>Body Construction</b>	Extruded aluminium - either anodized or powder coated
<b>Lens and Reflector Type</b>	Opal lens PMMA – 120degree distribution
<b>Recommended Height Installation</b>	From 2,4m to 15m
<b>Compliance</b>	SANS 60598
<b>IP Rating</b>	IP 44
<b>Control Type</b>	External control gear
<b>Dimmable</b>	Standard – no but with correct gear – then; Dali – Yes 1-10V – Yes DMX – Yes
<b><u>Electrical Information</u></b>	
<b>Electrical Class</b>	Class 1 or Class 2
<b>Socket Options</b>	NA
<b>Supply Voltage</b>	230V AC 50HZ
<b>Surge Protection</b>	Dependant on what is in external power supply – usually 2kV
<b>Power Factor</b>	Better than 0.95
<b><u>Optical Information</u></b>	
<b>CRI</b>	Always above 82
<b>CCT</b>	Either 3000K or 4000K or 5000K or RGBW or single colour red or green or blue
<b><u>Performance</u></b>	
<b>Total Circuit load and Lumens</b>	50W/m – 8600 lumens 100W/m – 17 200 Lumens
<b><u>Operating Conditions</u></b>	
<b>Operating Temperature range</b>	-20C to +45C
<b><u>Dimensions and Mounting</u></b>	
<b>Weight</b>	2.5kg per m
<b>Installation Data</b>	IES Files - yes



## FACT FILE:



Lumen values are as measured at source - on the PCB - not exiting light fitting. Due to the fast pace of development - values are subject to change at any time and without notice.