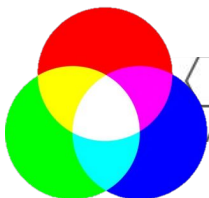


Utility LED

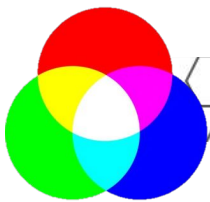




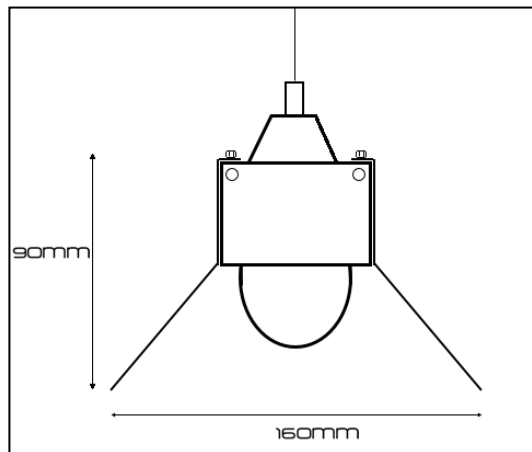
FACT FILE:



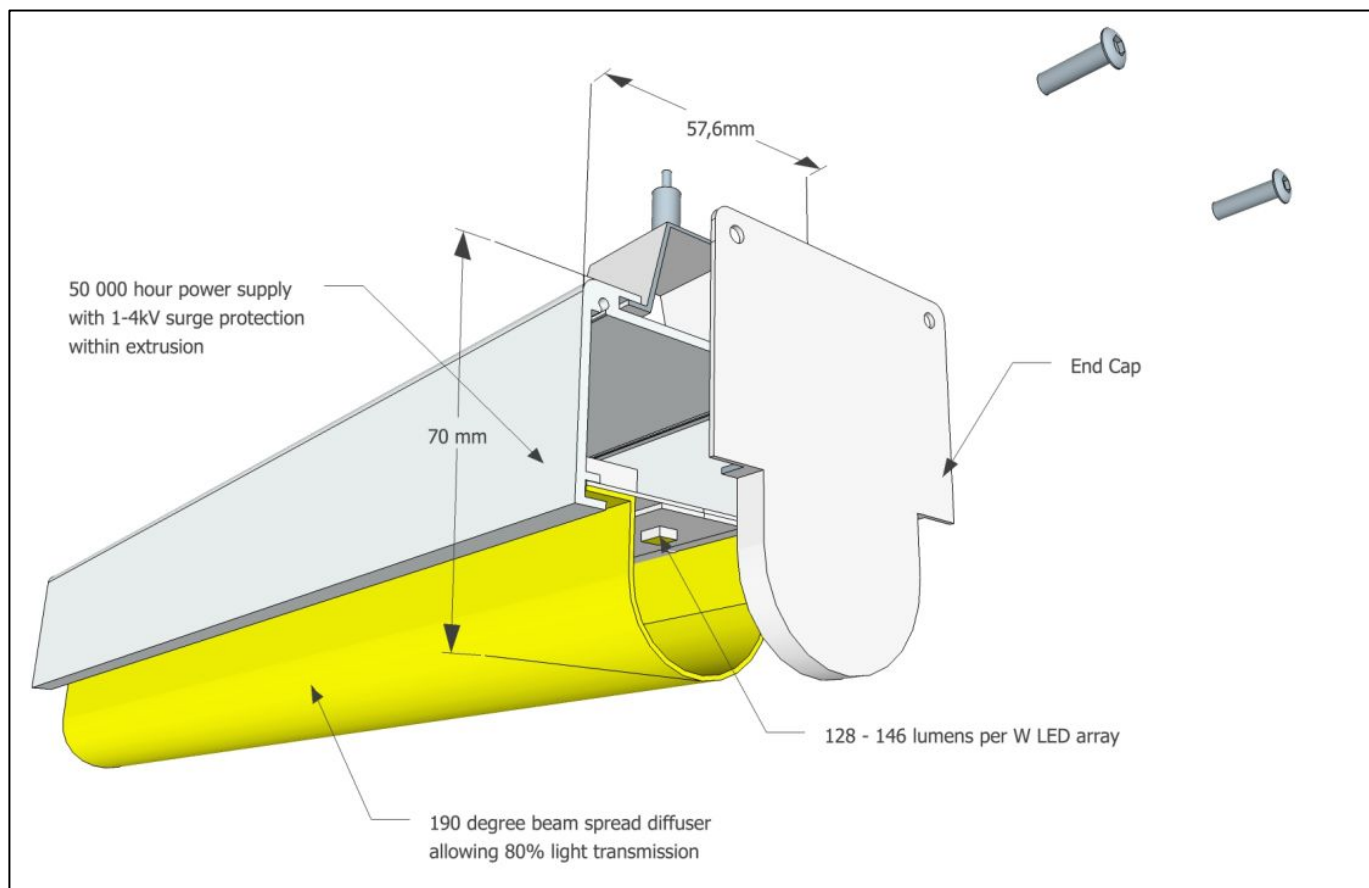
<u>General Information</u>	
Body Construction	Extruded aluminium - either anodized or powder coated
Lens Type	190 degree ultra wide distribution Opal lens with 80% transmission.
Recommended Height Installation	From 2m to 10m
Compliance	SANS 60598
IP Rating	IP 44 – splash proof IP 55 on reuest
Control Type	100 000 hour Tridonic or Helvar or TCI – internally mounted
Dimmable	Standard – no but with correct gear – then; Dali – Yes 1-10V – Yes DMX – Yes
Lengths	600mm or 1200mm or 1800mm
<u>Electrical Information</u>	
Electrical Class	Class 1
Socket Options	NA
Supply Voltage	230V AC 50HZ
Surge Protection	2KV in power supply
Power Factor	Better than 0.95
<u>Optical Information</u>	
CRI	Plus 80 minimum – plus 90 possible on request
CCT	4000K and 5000K and 3000K – (reduce lumens by 8% for 3000K)
<u>Performance</u>	
Total Circuit load and Lumens	600mm – 26W 4100 lumens at source 1200mm – 50W 8200 lumens at source 1800mm – 75W 12300 lumen as source
<u>Operating Conditions</u>	
Operating Temperature range	-20C to +45C
Power Supply	230V AC 50Hz
<u>Dimensions and Mounting</u>	
Weight	200g per m
Installation Data	IES Files – Yes



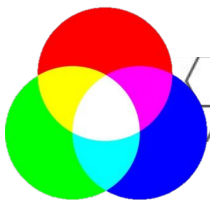
FACT FILE:



Optional wings – add on



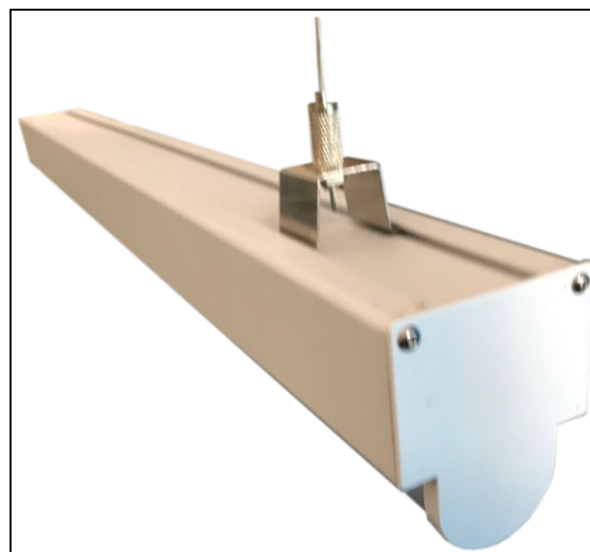
Lumen values are as measured at source - on the PCB - not exiting light fitting. Due to the fast pace of development - values are subject to change at any time and without notice.



FACT FILE:



Surface mount option



Pendant option

