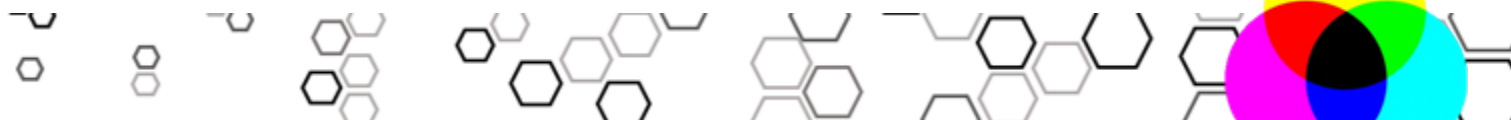




## Softlight Tilt Downlight V3 – true wallwasher





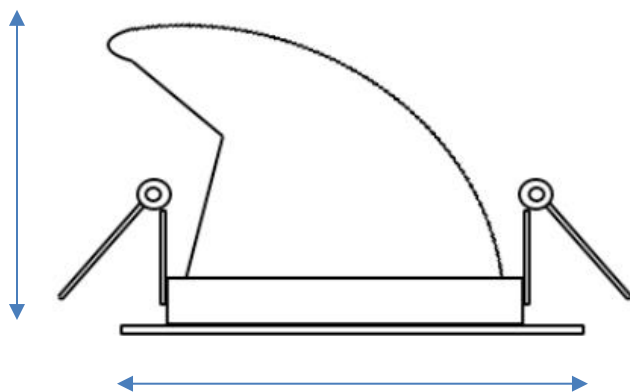
## FACT FILE:



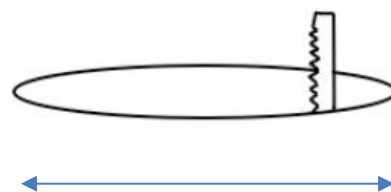
	<u>10W</u>	<u>20W</u>	<u>30W</u>
<b>Body Construction</b>	Aluminium powder coated	Aluminium powder coated	Aluminium powder coated
<b>Lens Type</b>	Glass	Glass	Glass
<b>Reflector</b>	Metalized polycarbonate with faceted, non tarnish finish.	Metalized polycarbonate with faceted, non tarnish finish.	Metalized polycarbonate with faceted, non tarnish finish.
<b>Compliance</b>	SANS 60598	SANS60598	SANS 60598
<b>IP Rating</b>	IP44 splash proof	IP44 splash proof	IP44 splash proof
<b>Control Type</b>	Standard - no control, on or off 1-10V control available DMX control available DALI control available	Standard - no control, on or off 1-10V control available DMX control available DALI control available	Standard - no control, on or off 1-10V control available DMX control available DALI control available
<b>Electric Class</b>	Class 2	Class 2	Class 2
<b>Supply Voltage</b>	230V AC	230V AC	230V AC
<b>Surge Protection</b>	1kV in Power Supply Unit	1kV in Power Supply Unit	1kV in Power Supply Unit
<b>Power Factor</b>	Better than 0,95	Better than 0,95	Better than 0,95
<b><u>Optical Information</u></b>			
<b>CRI</b>	Better than 80	Better than 80	Better than 80
<b>CCT</b>	3000K warm white 4000K neutral White 5000K cool white	3000K warm white 4000K neutral White 5000K cool white	3000K warm white 4000K neutral White 5000K cool white
<b>Beam angle</b>	38 degree	38 degree	38 degree
<b>Total Circuit load and Lumens</b>	1300 lumens 10W (at source) Deduct 8% for 3000K	2600 lumens 20W (at source) Deduct 8% for 3000K	3900 lumens at source Deduct 8% for 3000K
<b><u>Operating Conditions</u></b>			
<b>Operating Temperature range</b>	-20°C to + 40°C	-20°C to + 40°C	-20°C to + 40°C
<b>Weight</b>	250g	300g	400g



30W height = 130mm  
20W height = 100mm  
10W height = 70mm



30W trim diameter = 164mm  
20W trim diameter = 134mm  
10W trim diameter = 89mm



30W ceiling cut out = 148mm  
20W ceiling cut out = 115mm  
10W ceiling cut out = 80mm

